

# Audio & Video Kit

*Catalogue 2014*



**VIDEX<sup>®</sup>**

TECHNOLOGY FOR THE FUTURE

# Audio & Video Kit

Catalogue 2014



## Audio range

### 8000 SERIES

8K Audiokit	4
Digiphone Kit	5
Interkit	6

### 4000 SERIES

Audiokit	7
Digiphone Kit	8
Vproxphone Kit	9
Vandal Resistant Audio Kit	12
Vandal Resistant Digiphone Kit	13
GSM Audio Kit	10
Digiphone/GSM Kit	11

### SMART SERIES

Audiokit	14
"Two wire" Kit	15

Minikit	16
Slim Kit	17



## Video range

### SMART SERIES

Videokit	18
----------	----

### 8000 SERIES

Videokit	19-21-22
Videocode Kit	20

### 4000 SERIES

Videokit	23-26-27
Videocode Kit	24
Videprox Kit	25
Vandal Resistant Videokit	28-30
Vandal Resistant Videocode Kit	29
"2 Wire" Videokit	31-32-33-34
"2 Wire" Videocode kit	35
IP Videokit	36
IP Videocode kit	37

## Legend



Colour camera



B&W camera



Day/Night camera



Wide angle camera

All Audio and Video kits connections indicated in this catalogue are for one or two way standard installations.

For special installations please contact our technical staff by e-mail at the following address [technical@videx.it](mailto:technical@videx.it)



## Finishing and videophones

Finishing	38-39
Videophones	40-41



## The widest range of audio and video kits

Our ever expanding range of audio and video kits is due to our policy of continued product improvement and new product development. Three new additions and one improvement have been introduced in our video intercom range:

- Kristallo® and 6200 Series 2 wire video kits (sharing the same technology of the VX2300 2 wire video digital system).
- 6000 and 6200 SERIES video kits to complement the CVK4K, CVR4KV and CVK8K range of video kits.
- 4000 Series IP Videokit IPVK and IPVKC.
- Colour cameras now all have (with the exception of the SMVK videokit) automatic Day/Night control with built in infra-red illumination, which offers the best colour image in normal lighting conditions while reverting to black and white image when in poor lighting conditions. Optionally, cameras are also now available with a Wide Angle lens (170 degree) when required.

The introduction of the Kristallo® Series to the kit range with its elegant design and advanced features presents a Videx videokit for the "HIGH END" market.

Among the features that distinguish Kristallo® Series:

- "touch sensitive" technology (buttons are replaced by symbols and by lightly touching one of them the corresponding function is activated);
- "hands free" mode (you can talk hands free, or use the optional handset available for the surface mount models)
- "privacy" service (stop calls when you do not wish to be disturbed)
- "additional service" (often, in addition to the "door open" another additional service might be needed such as "outdoor lighting", "staircase lights" or "driveway illumination".
- 3.5" colour OSD display (which allows the user to adjust the settings and programming options through an intuitive on-screen menu)
- Temperature sensor and "real time" clock for use in the home automation field or just for information.

The Kristallo® models available for CESVK videokits are:

- KRV88 for flush or surface mounting
- KRV86 for surface mounting and including a handset

They are available in white (/W) and black (/B) finishes. They have 8 buttons: 3 buttons for multiple functions (with their corresponding LEDs), and 5 buttons to adjust the OSD menu and programming (date, time, privacy duration, volume, melody, number of rings, speech volume, brightness, contrast, hue).

The CESVK video kit with Kristallo® and 6200 Series complements the CESVK video kit range sharing features, door stations, expandability and accessories.

The introduction of the 6000 and 6200 series revolutionizes the colour videokit market: a product which combines advanced technology and a solid modern design at a very low price. Thanks to this Series, Videx can now carry out the mission started with the 3600 series: This was to offer a competitive alternative colour solution to the black and white videokit. The 6000 and 6200 Series "entry-level" videophone achieves this with a lower price than the black and white.

Features of the 6000 and 6200 series include:

- 2.4" (6000 Series) or 3.5" (6200 Series) LCD TFT high definition colour display.
- 4 buttons (door open/intercommunication, auto-recall, privacy and service)
- External adjustments for Call volume and brightness, internal adjustments for hue and contrast
- The CVK4K, CVR4KV and CVK8K video kits with 6000 Series videophone complement the CVK4K, CVR4KV and CVK8K video kit range sharing features, door stations, expandability and accessories.

With IPVK, VIDEX takes the first steps in the "OVER IP" field proposing, as a basic installation, a video kit that includes an IP (POE) Videophone having Kristallo Series design, an IP Video Door Entry Panel having 4000 Series Design and a 12 Vdc power supply. The IP Videokit includes all the functions available from any standard videokit plus functions specific to the technology such as video memory function that is always available, multiple call toward more devices or different devices (VIDEX IP Videophones, tablet, smartphones or any other android devices using the relevant APP and IP devices that are SIP compliant), the facility to install more video door entry panels, the intercommunication among the devices, the selective camera recall, the phonebook, the call log, the connection to SIP compliant VOIP switchboard and a PC using the specific SIP client).

Videx audio and Video kits are not only identified by their modern design, but most now also incorporate the latest microprocessor technology used in larger systems. The same technology has also been incorporated in the design of the 4000 and 8000 series range of door panels and the latest range of audio and video intercoms.

All Videx 4000 and 8000 Series video kits now offer an extended range of functions which include, intercommunication facility (between video intercoms in the same apartment or among those in different apartments), timed privacy with LED indication, door monitoring, visual and audio indications to confirm system operation, inputs for "push to exit", options for multiple entrances (up to 4) and the use of a six wire common bus for both 1 and 2 way systems.

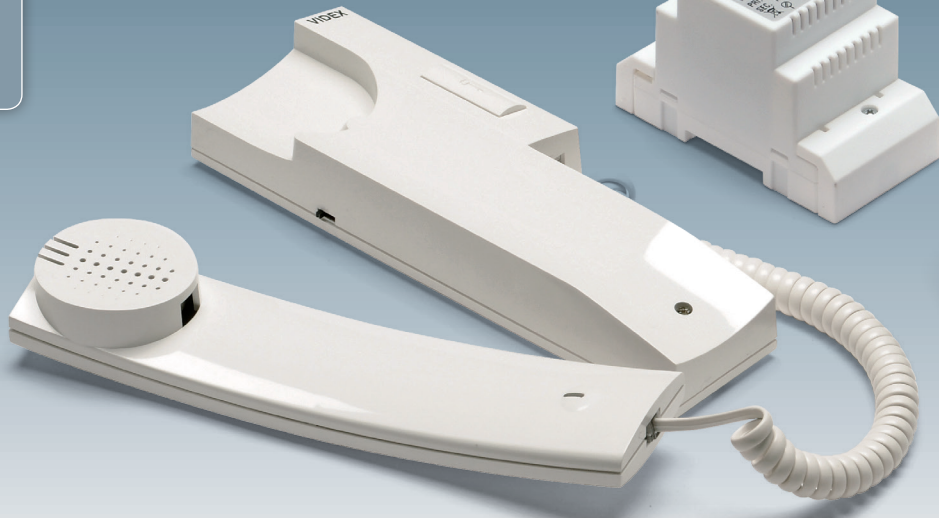
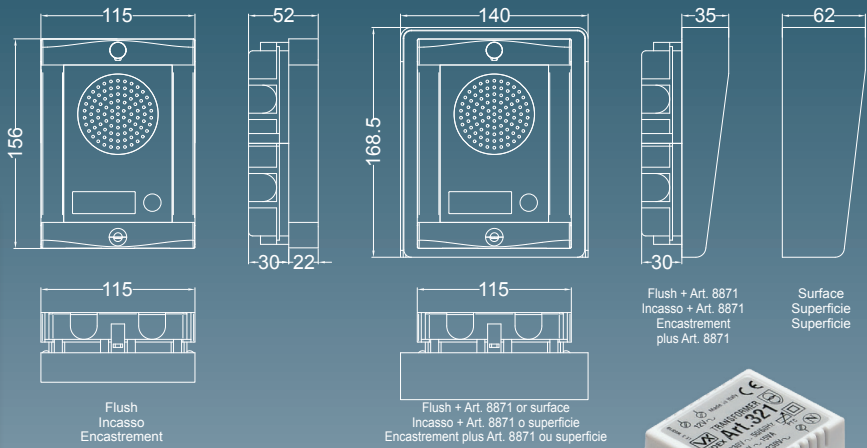
All kits in the 4000 and 8000 range are also available with an integral codelock (allowing users to open the door by entering their access code). A proximity key reader option is also available for the 4000 range (where the user can open the door by presenting their proximity fob/card to the reader).

All video kits are currently available in colour or black and white (although b/w will be phased out over time), 1 or 2 way, flush or surface mounted and all versions are available in the various finishes which can be found at the back of this brochure.

A memory video phone option is available for many of the video kits. This allows a record of the visitor to be captured (b/w or colour) with a date and time stamp. The visitors record can be captured manually by pressing the relevant button on the video intercom or set to capture automatically when a visitor calls. The memory phone option can be ordered by adding /MV to the basic code of the video kit.

All audio kits using the standard modular system (4000 or 8000 range) can upon request be expanded up to 12 call push buttons.

8K-1S/A



**8000 SERIES AUDIOKIT**

The circuitry of the outdoor stations provided with these kits, has a built-in lock relay to enable the electric lock. This reduces the cable requirements to only 4 ("3+1") between the outdoor station and the intercom. This reduced cable requirement allows longer cable runs and reduced cable sizes to be used between the two units.

**8K-1**

One button door entry kit comprised of:

**1 Outdoor station** including a one call button speaker unit Art.8836M-1, flush mounting box with module support and hinge Art.8851 plus covering frame Art.8861. Standard finishes: mirror stainless steel for the front plate and aluminium for the module support.

**1 Art.3011** 3000 Series Smart Line wall mount telephone with "door open" push button and electronic call tone with adjustable volume on 3 levels.

**1 Art.321** Power Supply in a type A 3 module DIN box.

Packing: cardboard 30.5x29x7cm total weight 1.4 Kg.

**8K-2**

As 8K-1 but two button version with 2 intercoms and 2 call push button speaker unit Art.8836M-2.

Packing: cardboard 41x29x7cm total weight 1.75 Kg.

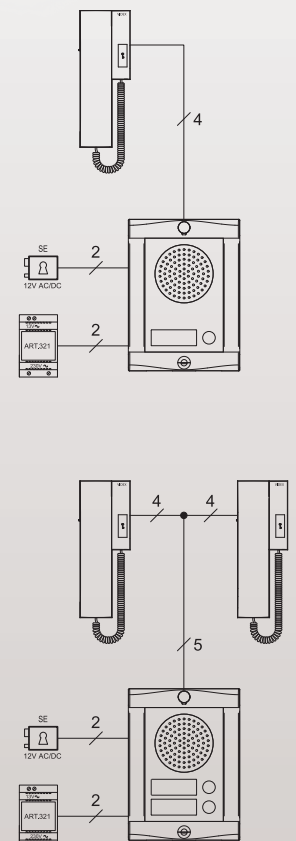
**8K-1S, 8K-2S**

As above door entry kits but with surface mounting box Art.8881.

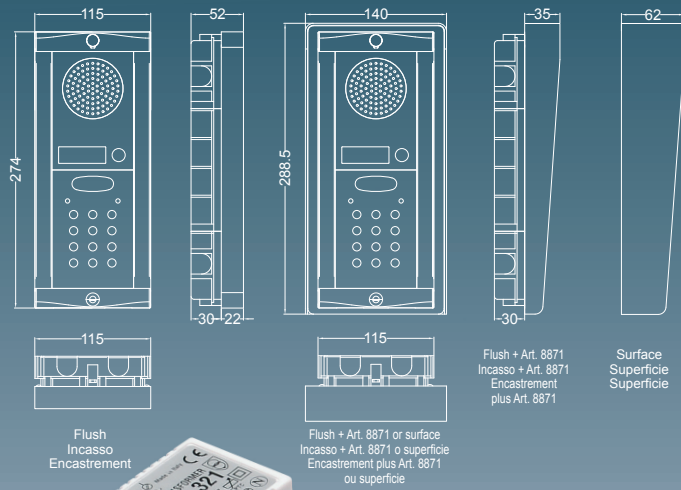
Packing: the same as the flush version but with a total weight of 1.85 Kg for one button version and 2.2 Kg for two button version.

For flush mounting outdoor station, a rainshield Art.8871 is available to install instead of the covering frame.

The module support, the module front plate and the rainshield are available in other finishes, **see pictures 2 on page 38** for available versions and additional suffix to use for orders.







DK8K-1S/A/BL



**8000 SERIES DIGIPHONE KIT**

As 8K1 audio kit with the addition of a codelock module Art.8800.

**DK8K-1**

One button door entry kit comprised of:

**1 Outdoor station** including a one button speaker module Art.8836M-1, a digital codelock (Art.8800 Codelock module, 2 codes / 2 relays outputs with illumination panel), flush mounting box with module support and hinge Art.8852 plus covering frame Art.8862. Standard finishes: mirror stainless steel for the front plate and aluminium for the module support.

**1 Art.3011** 3000 Series Smart Line wall mount telephone with "door open" push button and electronic call tone with adjustable volume on 3 levels.

**1 Art.321** Power Supply in a type A 3 module DIN box.

Packing: cardboard 30.5x29x7cm total weight 2.1 Kg.

**DK8K-2**

As DK8K-1 but two button version with 2 call button speaker unit Art.8836M-2 and 2 intercoms.

Packing: cardboard 41x29x7cm total weight 2.8 Kg.

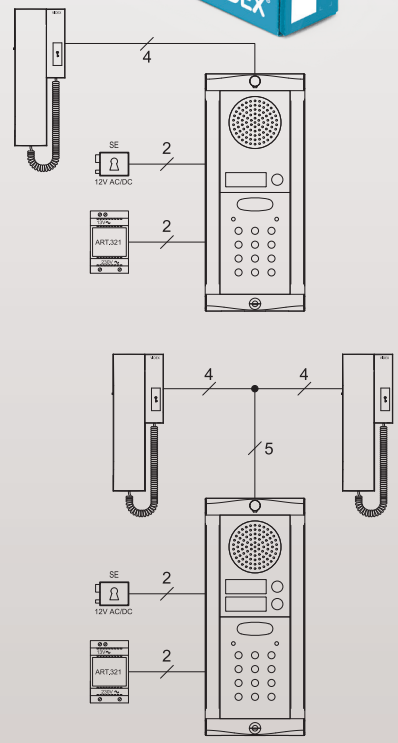
**DK8K-1S, DK8K-2S**

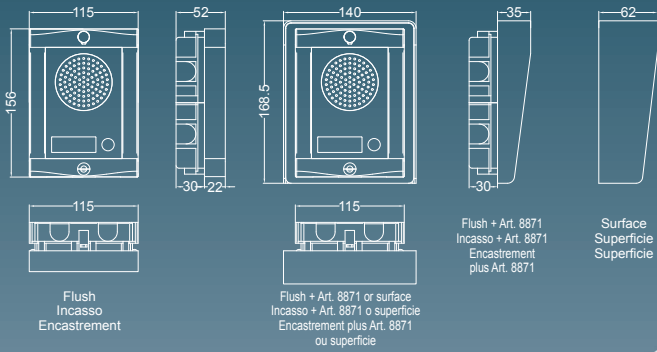
As kits above but with surface mounting box Art.8882.

Packing: the same as the relevant flush mount version but with total weight 2.6 Kg for one button version and 3.3 Kg for 2 button version.

For flush mounting outdoor station, an option rainshield Art.8872 is available instead of the covering frame.

The module support, the module front plate and the rainshield are available in other finishes, **see picture 2 on page 38** for available versions and additional suffix to use for orders





Flush  
Incasso  
Encastrement

Flush + Art. 8871 or surface  
Incasso + Art. 8871 o superficie  
Encastrement plus Art. 8871  
ou superficie

Flush + Art. 8871  
Incasso + Art. 8871  
Encastrement  
plus Art. 8871

Surface  
Superficie  
Superficie

IK8K-1S/A



## INTERKIT

Interkits, are available in one button and two button versions, the interkit forms a small intercommunicating system between 2 intercoms with an external call unit. The intercommunicating call is identified with an electronic tone and the external call unit with a buzzer. This feature provides an ideal solution for houses or offices which are on 2 different floors.

### IK8K-1

One button door entry kit comprised of:

**1 Outdoor station** including a one call button speaker unit Art.88361-1, flush mounting box with module support and hinge Art.8851 plus covering frame Art.8861. Standard finishes: mirror stainless steel for the front plate and aluminium for the module support.

**2 Art.3002** 3000 Series Smart line telephone with "Door open" and "Service" push buttons, buzzer call and electronic call tone with adjustable volume on 3 levels.

**1 Art.321** Power Supply in a type A 3 module DIN box.

Packing: cardboard 30.5x29x7cm total weight 2.1 Kg.

### IK8K-2

As IK8K-1 but two button version with 2 call push button speaker unit Art.88361-2. The 2 intercoms are communicating but external calls are different for each phone.

Packing: as above total weight 2.1 Kg.

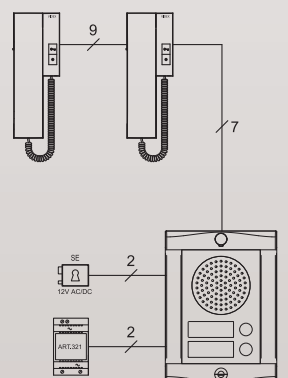
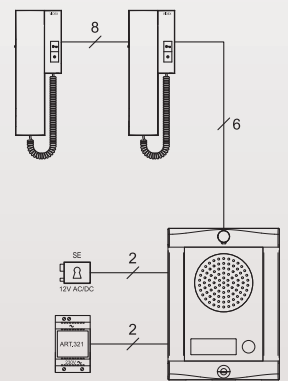
### IK8K-1S, IK8K-2S

As door entry kits above but with surface mounting outdoor station.

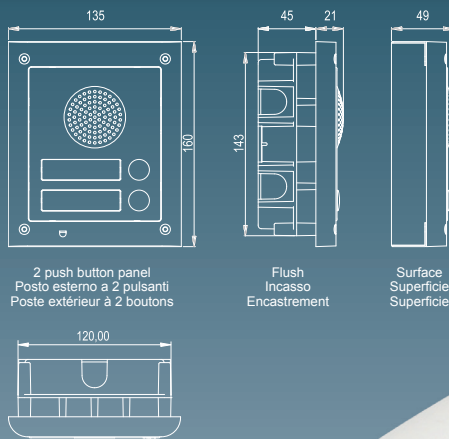
Packing: as above total weight 2.2 Kg.

For flush mounting outdoor station, a rainshield Art.8871 is available to install instead of the covering frame.

The module support, the module front plate and the rainshield are available in other finishes, **see picture 2 on page 38** for available versions and additional suffix to use for orders.



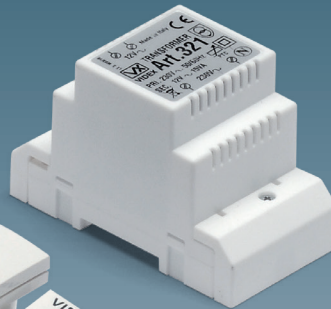




2 push button panel  
Posto esterno a 2 pulsanti  
Poste extérieur à 2 boutons

Flush  
Incastro  
Encastrement

Surface  
Superficie  
Superficie



4K-1S



### 4K SERIES AUDIOKIT

The 4000 Series audio door entry kits benefit from advanced features such as electronic call tone generation and lock release relay included within the door panel. This reduces the cable requirements between the handset(s) and the door panel to only 4 ("3+1") connections. For this reason larger cable distances using small cores sizes can be achieved between door panel and telephones.

#### 4K-1

One button door entry kit comprised of:

**1 Outdoor station** including a one call button speaker unit Art.4836-1 and a flush mounting box with module support and hinge Art.4851.

Standard finishes: mirror stainless steel for the front plate and gun metal grey for the module support.

**1 Art.3011** 3000 Series Smart Line wall mount telephone with "door open" push button and electronic call tone with 3 level adjustable volume control.

**1 Art.321** Power Supply in a type A 3 module DIN box.  
Packing: cardboard 30.5x29x7cm total weight 2 Kg.

#### 4K-2

As 4K-1 but two button version with 2 intercoms and 2 call push button speaker unit Art.4836-2.

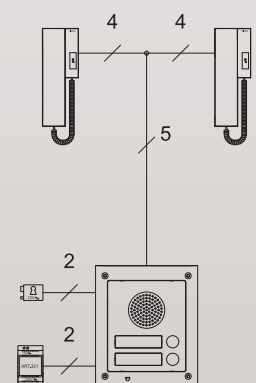
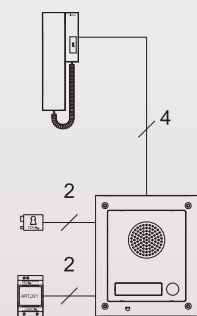
Packing: cardboard 41x29x7cm total weight 2.3 Kg.

#### 4K-1S, 4K-2S

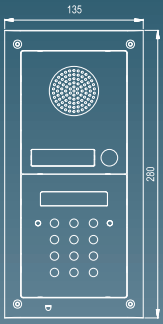
As door entry kits above but with surface mounting box Art.4881.

Packing: the same as the flush versions but with a total weight of 2.3 Kg for one button version and 2.6 Kg for two button version.

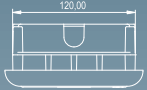
The module support frame and the module front plate are available in other finishes, **see pictures 4 and 5 on page 39** for available versions and additional suffix to use for orders.



DK4K-1S



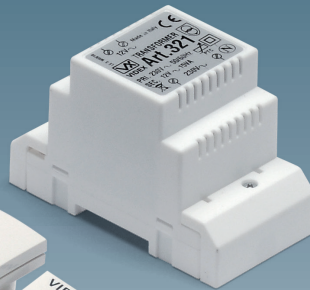
1 push button panel  
Posto esterno a 1 pulsante  
Poste extérieur à 1 bouton



Flush  
Incasso  
Encastrement



Surface  
Superficie  
Superficie



## DK4K SERIES DIGIPHONE KIT

As 4K1 audio kit with the addition of a VIDEK codelock module Art.4800. This additional feature allows the user to open the door from outside by typing the relevant access code into the keypad.

### DK4K-1

One button door entry kit comprised of:

**1 Outdoor station** including a one button speaker module Art.4836-1, a digital codelock Art.4800 Codelock module, (3 codes / 3 relay outputs with keypad illumination) and a flush mounting box with module support and hinge Art.4852. Standard finishes: mirror stainless steel for the front plate and gun metal grey for the module support.

**1 Art.3011 3000 Series Smart Line wall mount telephone** with "door open" push button and electronic call tone with 3 level adjustable volume control.

**1 Art.321 Power Supply** in a type A 3 module DIN box.  
Packing: cardboard 30.5x29x7cm total weight Kg.2.4

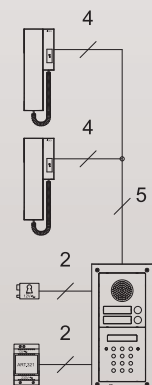
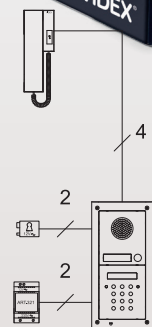
### DK4K-2

As DK4K-1 but two button version with 2 call button speaker unit Art.4836-2 and 2 intercoms.  
Packing: cardboard 41x29x7cm total weight Kg.2.7

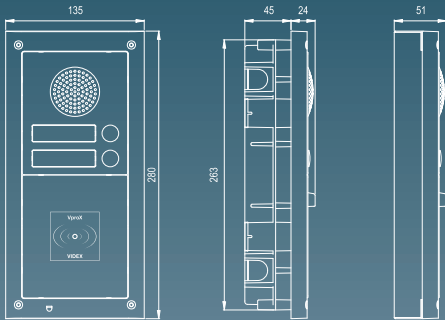
### DK4K-1S, DK4K-2S

As kits above but with surface mounting box Art.4882.  
Packing: the same as the relevant flush mount version but with total weight 2.8 Kg for one button version and 3.1 Kg for 2 button version.

The module support frame and the module front plate are available in other finishes, **see pictures 4 and 5 on page 39** for available versions and additional suffix to use for orders.







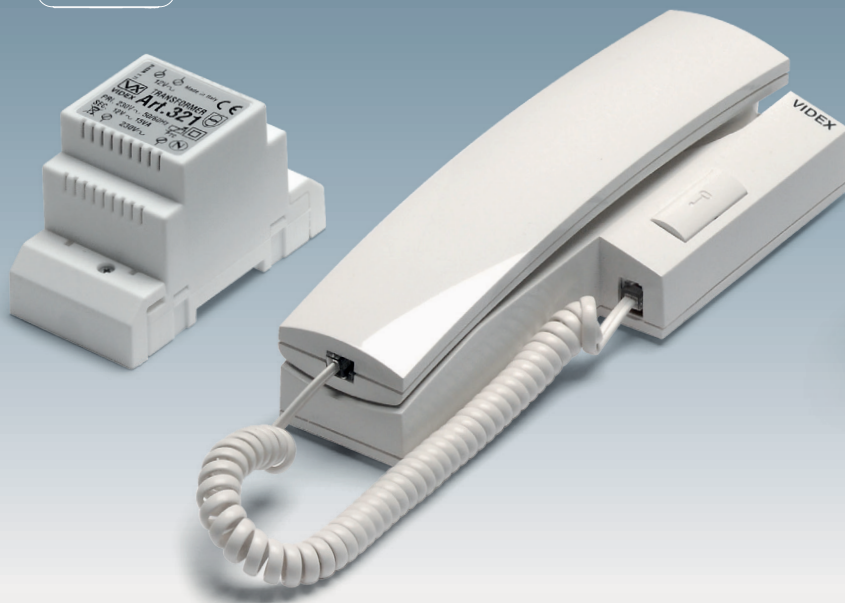
2 push button panel  
Posto esterno a 2 pulsanti  
Poste extérieure a 2 boutons

Flush  
Incastro  
Encastrement

Surface  
Superficie  
Superficie



XK4K-1S



### XK4K SERIES VPROXPHONE KIT

As 4K1 audio kit with the addition of a VIDEX stand-alone proximity reader module Art.4850. The user can open the door from the outside by simply presenting a card/fob to the external reader.

#### XK4K-1

One button door entry kit comprised of:

**1 Outdoor station** including a one button speaker module Art.4836-1, one stand-alone proximity key reader Art.4850 (up to 100 keys / 1 relay output) and a flush mounting box with module support and hinge Art.4852. Standard finishes: mirror stainless steel for the front plate and gun metal grey for the module support.

**1 Art.3011** 3000 Series Smart Line wall mount telephone with "door open" push button and electronic call tone with 3 level adjustable volume control.

**3 Art.955/C** Coded proximity key card format (tag Art.955/T available on request).

**1 Art.321** Power Supply in a type A 3 module DIN box.

Packing: cardboard 30.5x29x7cm total weight Kg.2.9

#### XK4K-2

As XK4K-1 but two button version with 2 call button speaker unit Art.4836-2 and 2 intercoms.

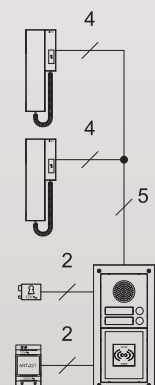
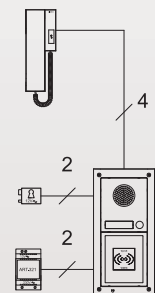
Packing: cardboard 41x29x7cm total weight Kg.3.2

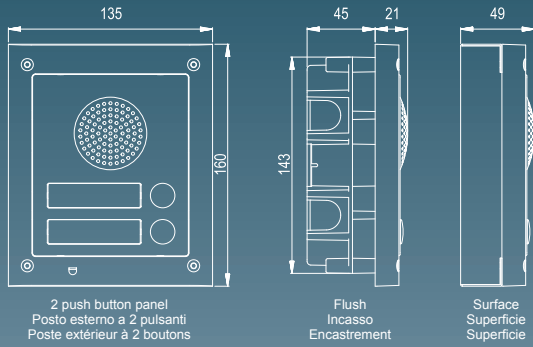
#### XK4K-1S, XK4K-2S

As kits above but with surface mounting box Art.4882.

Packing: the same as the relevant flush mount version but with total weight 3.3 Kg for one button version and 3.6 Kg for 2 button version.

The module support frame and the module front plate are available in other finishes, **see pictures 4 and 5 on page 39** for available versions and additional suffix to use for orders.

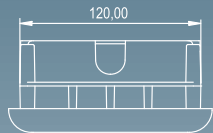




2 push button panel  
Posto esterno a 2 pulsanti  
Poste extérieur à 2 boutons

Flush  
Incasso  
Encastrement

Surface  
Superficie  
Superficie



120,00



### 4K/GSM SERIES AUDIOKIT

This range, of the 4000 Series have been designed to operate using mobile phone technology with minimal installation time required. The system operates as follows:

- The visitor presses a button on the door panel to initiate a call.
- The door panel then dials the telephone number stored using the GSM network.
- If the call is answered, speech and services will be available such as door/gate release.

The Kit enables a call to be made from an entry point (door, gate, remote site or help point) to any telephone number (mobile or land line). The door panel is available with 1 or 2 call buttons (expandable up to 50) each able to call two (up to five on system with up to 10 call buttons) pre programmed telephone numbers if the number is busy or not answered, the call will divert to the next). Programming of telephone numbers and additional features is carried out via text messaging or PC software. Additional access control features are also available, allowing a number of callers (max 250) to open the gate/door simply by dialling the telephone number of the intercom panel (the intercom will not answer these calls but will activate the relay output at no charge to the caller).

A SIM card is required for this product (NOT SUPPLIED). It is recommended to choose the SIM card which has best coverage for the area in which the intercom panel will be installed. Both contract and "Pay as you go" SIM cards can be used, if using "Pay as you go" we would recommend setting up an automatic top up to avoid losing the use of the intercom panel through running short of credit. Features of the system include a dry contact relay output, open collector auxiliary output, push to exit input and switched 0V auxiliary input. Recently added features include the facility to monitor the status (open or close) of a gate or door, divert/disable calls outside of a time band period, silent dialling for higher security and the ability to send a DTMF tone automatically after a call is answered which can be used with automated telephone systems.

#### 4K-1/GSM

**1 Outdoor station** including a one call button gsm speaker unit Art.4810N-1 and a flush mounting box with module support and hinge Art.4851. Standard finishes: mirror stainless steel for the front plate and gun metal grey for the module support.

**1 Art.432 GSM Aerial** comprised of connection cable and wall fix support plate.

**1 Art.AMR2-12** 12Vdc power supply in a type A 2 module DIN box.

Packing: cardboard 29.5x29x7cm total weight 1.6 Kg.

#### 4K-2/GSM

As 4K-1/GSM but two button version with 2 call push button speaker unit Art.4810N-2.

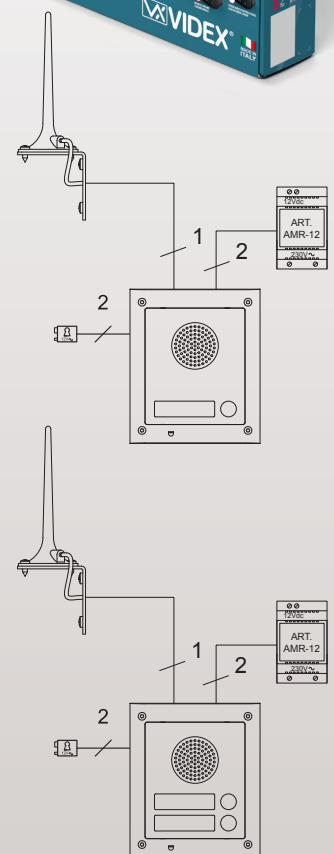
Packing: cardboard 29.5x29x7cm total weight 1.6 Kg.

#### 4K-1S/GSM 4K-2S/GSM

As door entry kits above but with surface mounting box Art.4881.

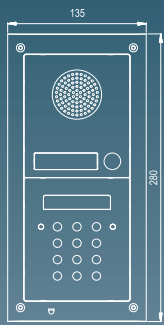
Packing: the same as the flush versions but with a total weight of 1.9 Kg.

The module support frame and the module front plate are available in other finishes, **see pictures 4 and 5 on page 39** for available versions and additional suffix to use for orders



4K-1S/GSM





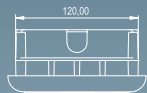
1 push button panel  
Posto esterno a 1 pulsante  
Poste extérieur à 1 bouton



Flush  
Incasso  
Encastrement



Surface  
Superficie  
Superficie



DK4K-1S/GSM



**DK4K/GSM INTERCOM KIT**

As 4K/GSM audio kit with the addition of a VIDEX code lock module Art.4800. This additional feature allows the user to open the door from outside by typing the relevant access code into the keypad.

**DK4K-1/GSM**

One button flush door entry kit comprising of:

**1 Outdoor station** including a one call button gsm speaker unit Art.4810-1, a digital code lock module Art.4800 (3 codes / 3 relay outputs with keypad illumination) and a two modules flush mounting box with module support and hinge Art.4852 Standard finishes: mirror stainless steel for the front plate and gun metal grey for the module support.

**1 Art.432 GSM Aerial** comprised of connection cable and wall fix support plate.

**1 Art.AMR2-12** 12Vdc power supply in a type A 2 module DIN box.

Packing: cardboard 29.5x29x7cm total weight 2.4 Kg.

**DK4K-2/GSM**

As DK4K-1/GSM but two button version with 2 call push button gsm speaker unit Art.4810-2.

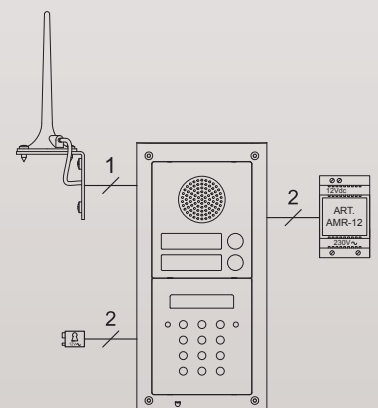
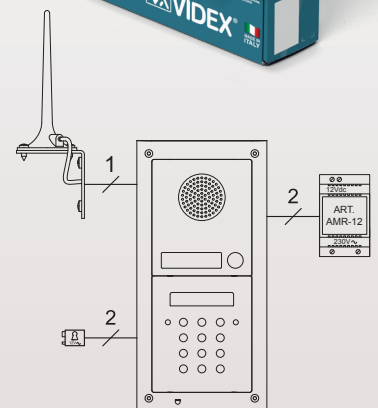
Packing: cardboard 29.5x29x7cm total weight 2.4 Kg

**DK4K-1S/GSM DK4K-2S/GSM**

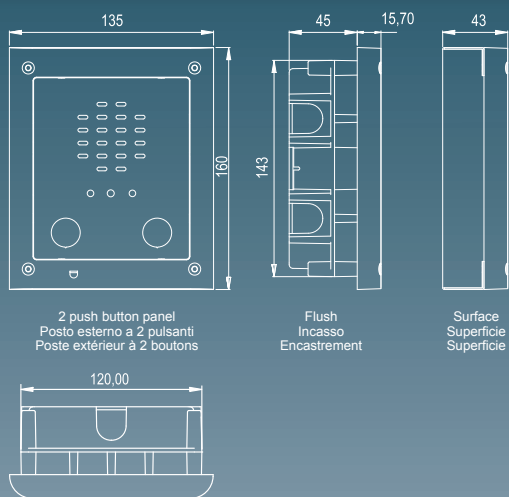
As door entry kits above but with surface mounting box Art.4882.

Packing: the same as the flush versions but with a total weight of 2.8 Kg.

The module support frame and the module front plate are available in other finishes, **see pictures 4 and 5 on page 39** for available versions and additional suffix to use for orders.



VR4K-1S



2 push button panel  
Posto esterno a 2 pulsanti  
Poste extérieure à 2 boutons

Flush  
Incasso  
Encastrement

Surface  
Superficie  
Superficie



### VR4K SERIES VANDAL RESISTANT AUDIO KIT

VR4K is a new range of vandal resistant audio kits, developed from the popular 4K Series.  
The face plate is manufactured from 2.5 mm stainless steel and incorporates IP68 stainless steel push buttons.  
The face plate is housed in the 4000 Series front support frame, which gives the unit substantial strength.  
Disability Friendly, with acoustic and visual signalling of the system status (conversation in progress, busy and door open indication)  
Reassurance tones are standard.  
Multiple entrances without the need of the 2 entrance exchange unit.  
Dry contact relay for lock release connection.

#### VR4K-1

One button flush door entry kit comprising of:

**1 Outdoor station** including one call button speaker unit module Art.VR4KAM-1 and a flush mounting box with module support and hinge Art.4851. Standard finish: brushed stainless steel for the front plate and gun metal grey for the module support.

**1 Art.3111** 3000 Series wall mount telephone with "door open" and "service" push buttons and electronic call tone with 3 level adjustable volume control.

**1 Art.520M** Power Supply in a type A 8 module DIN box.

Packing: cardboard 24.5x25.5x6.5cm total weight 2.1 Kg.

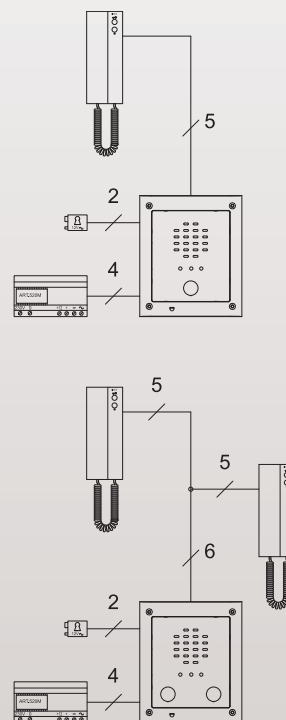
#### VR4K-2

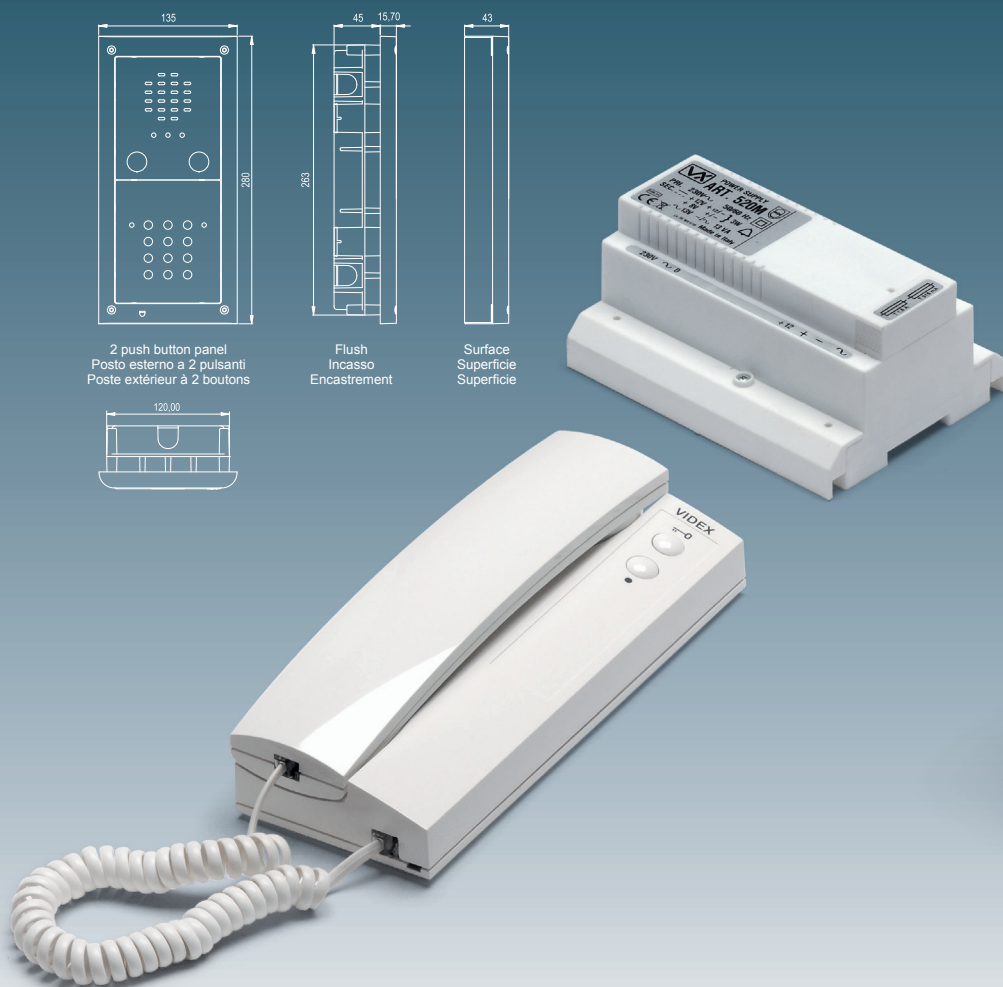
As VR4K-1 but two call button version with 2 telephones and a 2 call button speaker unit Art.VR4KAM-2.  
Packing: cardboard 30.5x29x7cm total weight 2.45 Kg.

#### VR4K-1S, VR4K-2S

As door entry kits above but with surface mounting box Art.4881.  
Packing: the same as the flush versions but with a total weight of 2.4 Kg for one button version and 2.8 Kg for two button version.

The module support frames are available in other finishes, **see picture 5 on page 39** for available versions and additional suffix to use for ordering.





VR4K-1S/CL

### VR4K/CL SERIES VANDAL RESISTANT DIGIPHONE KIT

As the VR4K audio kit with the addition of a VIDEX codelock module Art.VR4KCLM. This additional feature allows the user to open the door from outside by typing the relevant access code into the keypad.

#### VR4K-1/CL

One button flush door entry kit comprising of:

**1 Outdoor station** including a one button speaker unit module Art.VR4KAM-1, a digital codelock module Art.VR4KCLM (2 codes / 2 relays) and a flush mounting box with module support and hinge Art.4852. Standard finish: brushed stainless steel for the front plate and gun metal grey for the module support.

**1 Art.3111** 3000 Series wall mount telephone with "door open" and "service" push buttons and electronic call tone with 3 level adjustable volume control.

**1 Art.520M** Power Supply in a type A 8 module DIN box.

Packing: cardboard 41x29x7cm total weight Kg. 3.0

#### VR4K-2/CL

As VR4K-1/CL but two call button version with a 2 call button speaker unit Art.VR4KAM-2 and 2 telephones.

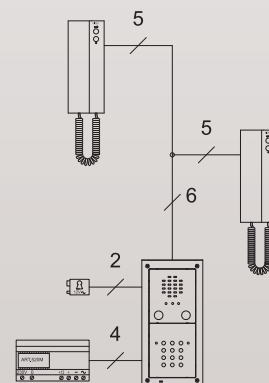
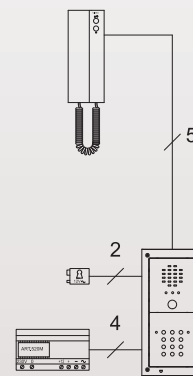
Packing: cardboard 41x29x7cm total weight Kg. 3.35

#### VR4K-1S/CL, VR4K-2S/CL

As kits above but with surface mounting box Art.4882.

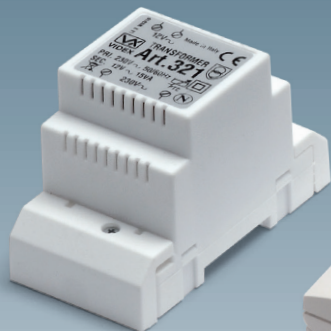
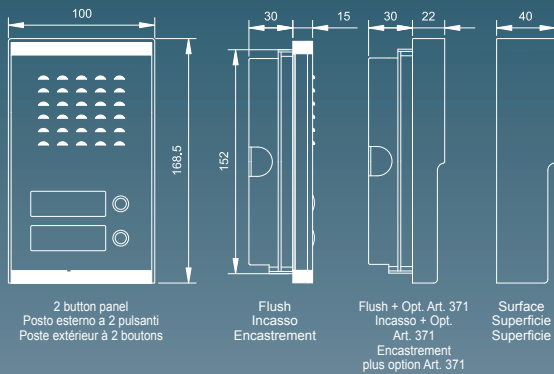
Packing: the same as the relevant flush mount version but with total weight 3.5 Kg for one button version and 3.85 Kg for 2 button version.

The module support frames are available in other finishes, **see picture 5 on page 39** for available versions and additional suffix to use for orders.





SMK-1S/A



### SMART SERIES AUDIOKIT

The circuitry of the outdoor stations provided with these kits, has a built-in lock relay to enable the electric lock. This reduces the cable requirements to only 4 wires ("3+1") between the outdoor station and the intercom and to use cables with reduced size over long distances.

#### SMK-1

One button door entry kit comprised of:

**1 Art.336E-1** One call button flush mounting outdoor station complete.

**1 Art.3011** 3000 Series Smart Line wall mount telephone with "door open" push button and electronic call tone with adjustable volume on 3 levels.

**1 Art.321** Power Supply in a type A 3 module DIN box.

Packing: cardboard 30.5x29x7cm total weight 1.3 Kg.

#### SMK-2

As the SMK-1 kit but with 2 call push buttons outdoor station Art.336E-2 and 2 intercoms.

Packing: cardboard 41x29x7cm total weight 1.7 Kg.

#### SMK-1S, SMK-2S

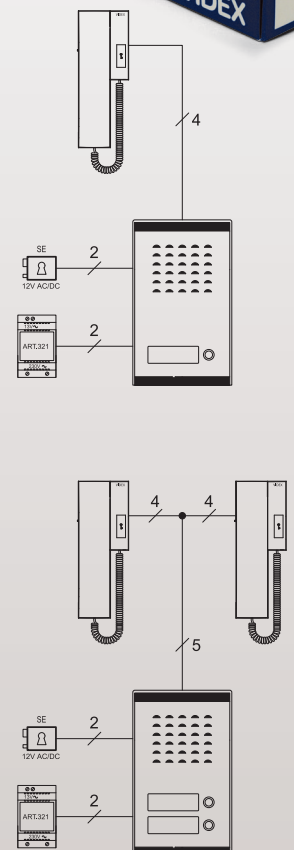
As the kits above but with surface mount outdoor station Art.336E-1S or Art.336E-2S.

Packing: the same as above but total weight 1.5 Kg for one family version and 1.9 Kg for two button version.

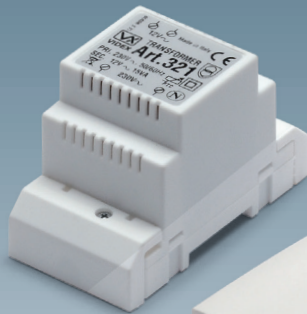
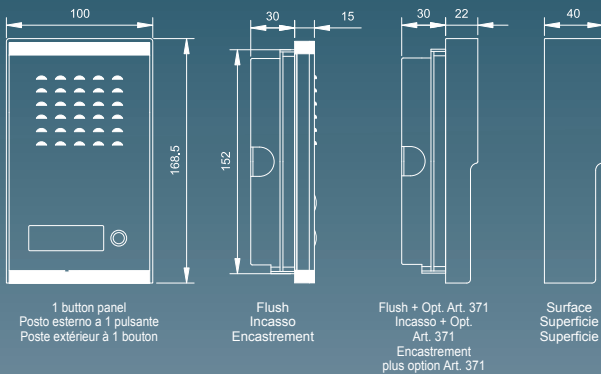
For flush mounting outdoor station an optional rainshield Art.371 and surface mounting box Art.381 are available.

The outdoor station front plate and the optional rain shield are available in 3 different finishes: add /A to the product code for aluminium finish, /G for gold and /W for white.

For colours see picture 3 on page 38







ESK-1S/A

### SMART SERIES "TWO WIRE" KIT

This is a complete door entry system using only two wires between the door station and the indoor unit plus the facility for a second handset to be wired in parallel and an extension sounder. The intercom provided has a service push button.

#### ESK-1

One button door entry kit comprised of:

**1 Art.332** One call button flush mount outdoor station.

**1 Art.3151** 3000 Series wall mount telephone with "door open" push button, "service" push button and electronic call tone with adjustable volume on 3 levels.

**1 Art.321** Power Supply in a type A 3 module DIN box.

Packing: cardboard 30.5x29x7cm total weight 1.3 Kg.

#### ESK-1S

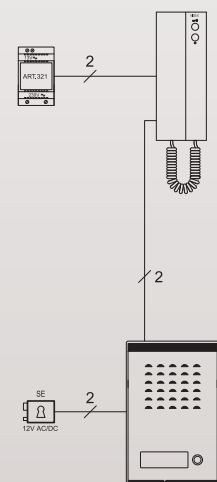
As door entry kit above but with surface mounting outdoor station Art.332S.

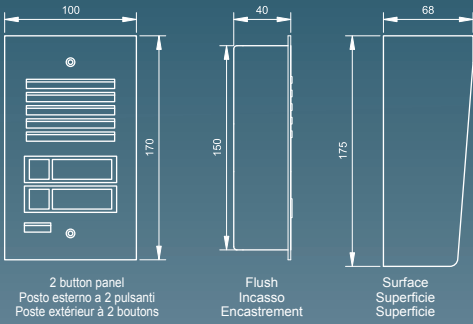
Packing: cardboard 30.5x29x7cm total weight 1.5 Kg.

For flush mounting outdoor station an optional rainshield Art.371 and surface mounting box Art.381 is also available.

The outdoor station front plate and the optional rain shield are available in 3 different finishes: add /A to the product code for aluminium finish, /G for gold and /W for white.

For colours see pict. 3 on page 38





MK-1/A



**MK-1**

One button door entry kit comprised of:

- 1 One call button flush mount outdoor station in an aluminium finish Art.DU-1A.
  - 1 Art.3021 3000 Series Smart Line wall mount telephone with "door open" push button and buzzer call.
  - 1 Art.321 Power Supply in a type A 3 module DIN box.
- Packing: cardboard 24.5x25.5x6.5cm total weight 1.3 Kg.

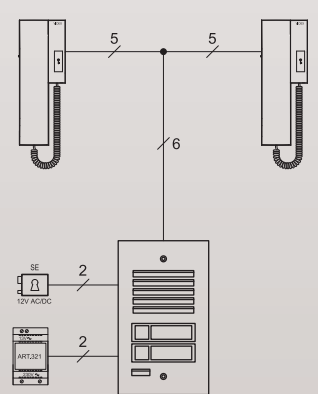
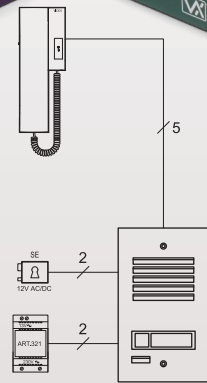
**MK-2**

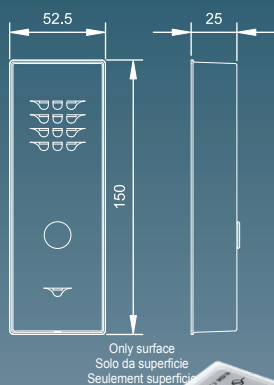
As MK-1 but two button version with 2 intercoms and 2 call push button outdoor station Art.DU-2A.  
Packing: cardboard 30.5x29x7cm total weight 1.6 Kg.

Optionally a surface mount box for the outdoor station Art.SMB-M is available.

The outdoor station front plate and the surface mount box are available in 3 different finishes: add /A to the product code for aluminium finish, /G for gold and /W for white.

For colours see pict. 3 on page 38.





SLK

**SLIM KIT**

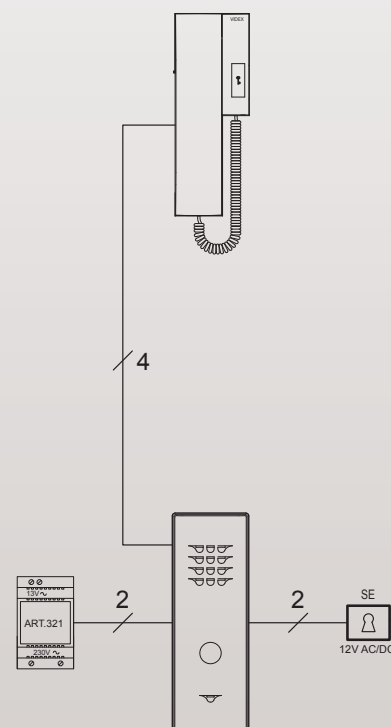
The SLIM KIT uses a completely new surface mounting outdoor station. The front panel, is of a slim design. The panel is manufactured from one piece of die-cast aluminium alloy which gives substantial strength to the outdoor station. The outdoor station circuitry has a built-in lock relay, this reduces the cable requirements to only 4 wires ("3+1") between the outdoor station and the intercom. The reduced cable requirement allows longer cable runs and reduced cable sizes to be used between the two units. The outdoor station is provided with a 3mt length cable.

**SLK**

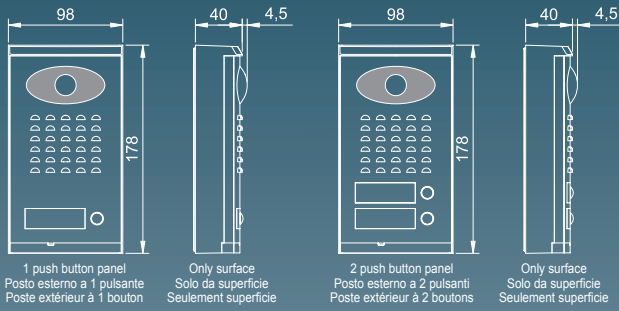
One button door entry kit comprised of:

- 1 Art.436 Surface mount slim line outdoor station with built in lock relay.
- 1 Art.3011 3000 Series Smart Line wall mount telephone with "door open" push button and electronic call tone with adjustable volume on 3 levels.
- 1 Art.321 Power Supply in a type A 3 module DIN box. 1

Packing: cardboard 24.5 x 25.5 x 6.5 cm total weight 1.5 Kg







SMVK-1/G



**SMART SERIES VIDEOKIT- SMVK1**



**SMVK-1**

One button videokit comprised of:

**1 Art.331K** One call button outdoor station (surface mount only) complete with high quality auto iris lens CCD B&W camera and infrared illumination LEDs. Horizontal & Vertical camera adjustment (10 degrees).

**1 Art.3351** 3000 Series Videophone with 3.5" B&W LCD monitor, "door open" and "camera recall" push buttons, 3 "service" push buttons and electronic call tone with adjustable volume on 3 levels. Complete with wall mount support Art.3980.

**1 Art.850K** Power transformer in a Type A 5 module DIN box.

Packing: cardboard 57x26.5x7cm total weight 3.2Kg.

**CSMVK-1**

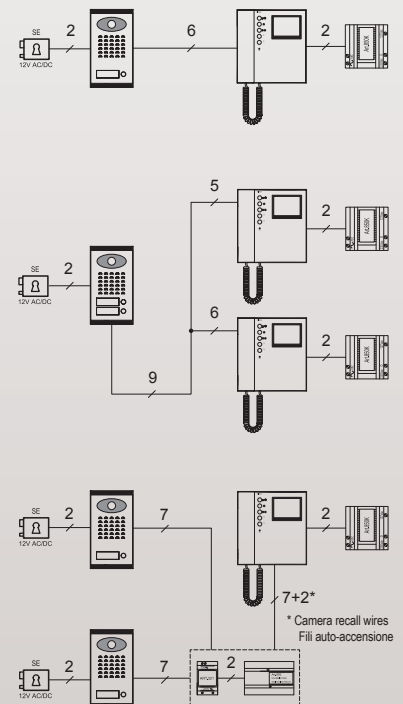
As SMVK1 but with 3.5" colour TFT LCD monitor Art.3451 and colour outdoor station Art.331K/Colour. Packing: as above

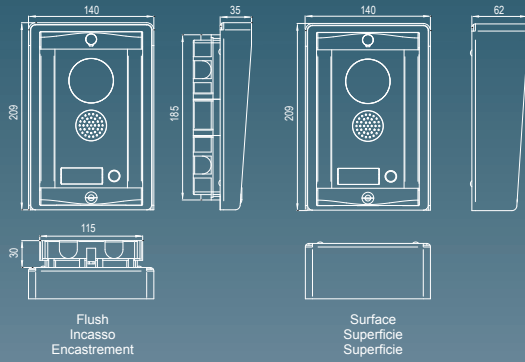
**SMVK-2, CSMVK-2**

As video kits above but two button version with 2 videophones, 2 power supplies and 2 button outdoor station Art.331K-2.

Packing: cardboard 28x26x24cm total weight 5 Kg

The door station front plate and the videophone are available in other finishes, see pictures 1 and 6 on pages 38 and 39 for available versions and additional suffix to use for orders.





CVK8K-1S/BL



**CVK8K SERIES VIDEOKIT**



The CVK8K series videokits offers a number of new operating features and allows greater flexibility for installation.

- Up to 4 outdoor stations with 2 call push buttons calling 2 independent apartments;
- Up to 3 peripheral devices connected in parallel to each videophone (additional videophone, extension sounder, telephone handset etc);
- Recall (selective entrance recall on systems with 2 or more outdoor stations);
- Intercommunication between internal videophones;
- Local call tone which is different from the external push button call tone;
- Videophone incorporates "Privacy" On/Off facility (with either latched or timed activation of privacy);
- Programmable Call, conversation and door opening times;
- Dry relay contacts for electric lock;
- Power supply can be connected to the videophone or the outdoor station.

**CVK8K-1**

One button videokit comprised of:

**1 Outdoor station** including speaker unit module Art.8833-1/Colour comprising of high quality auto iris lens CCD Day/Night colour camera\* with infrared illumination LEDs plus 1.5 module flush mounting box with module support and hinge Art.8855 plus a rainshield Art.8875. Standard finishes: mirror stainless steel for the front plate and aluminium for the module support.

**1 Art.3656** 3600 Series Videophone with 3.5" colour TFT flat monitor, "door open/intercommunicating call", "camera recall" and "Privacy on/Call reject/Service" push button plus "on" and "door open" LEDs\*\* and one "privacy on" LED. Electronic call tone with 3 level adjustable volume. Controls: picture hue and brightness. Complete with wall mount support Art.5980.

**1 Art.850K** Power transformer in a Type A 5 module DIN box.

Packing: cardboard 57x26.6x7cm total weight 3.4Kg.

**CVK8K-2**

As CVK8K-1, but two button version speaker unit Art.8833-2/Colour, 2 videophones Art.3656, 2 power transformers and one video distributor Art.316N.

Packing: cardboard 28x26x24cm total weight 6 Kg.

**CVK8K-1S, CVK8K-2S**

As the flush mount versions but with surface mounting box Art.8885.

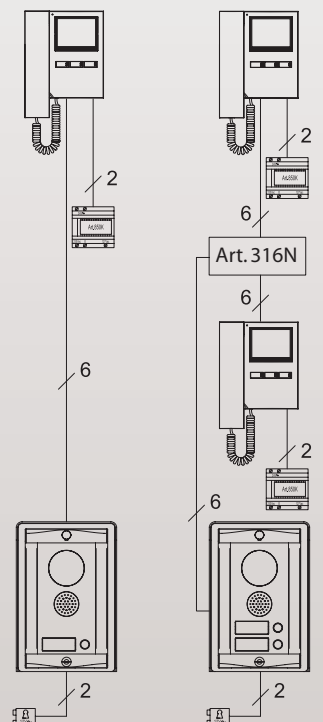
Packing: the same as relevant flush model with total weight 4 Kg for one button version and 6.5 Kg for two button version.

The module support, the surface mounting box and the module front plate are available in other finishes, see **picture 2 on page 38** for available versions and additional suffix to use for orders.

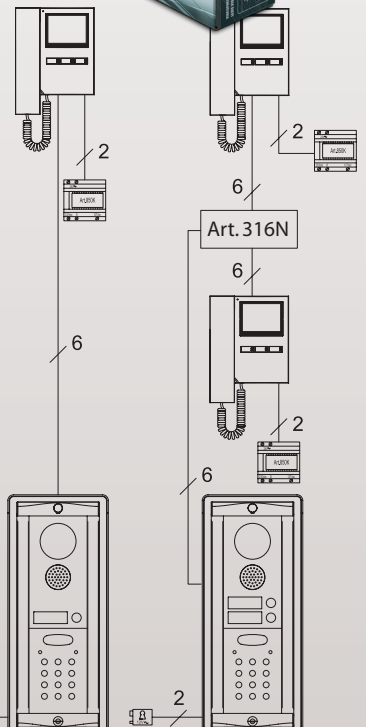
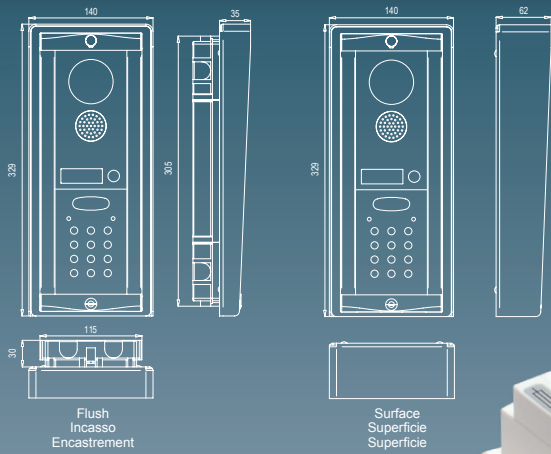
**The above colour kits can be ordered with an alternative model videophone, see page 40 and 41 to check their features, code, photos and dimensions.**

\* Available also with Wide Angle camera option.

\*\* Some LED's require additional connections in order to work.







CVK8K-1S



**CVKC8K SERIES VIDEOCODE KIT**

With the addition of a VIDEX stand-alone digital codelock module Art.8800 added to the large number of features offered by the CVK8K videokit. The user can open the door from the outside by entering an access code through the keypad.

**CVKC8K-1**

One button videokit comprised of:

**1 Outdoor station** including speaker unit module Art.8833-1/Colour comprising of high quality auto iris lens CCD Day/Night colour camera\* with infrared illumination LEDs plus one codelock module Art.8800 (2 codes / 2 relay outputs) and a 2.5 modules flush mounting box with module support and hinge Art.8857 plus a rainshield Art.8877. Standard finishes: mirror stainless steel for the front plate and aluminium for the module support.

**1 Art.3656** 3600 Series Videophone with 3.5" colour TFT flat monitor, "door open/intercommunicating call", "camera recall" and "Privacy on/Call reject/Service" push button plus "on" and "door open" LEDs\*\* and one "privacy on" LED. Electronic call tone with 3 level adjustable volume. Controls: picture hue and brightness. Complete with wall mount support Art.5980.

**1 Art.850K** Power transformer in a Type A 5 module DIN box. Packing: cardboard 41x35x10 cm total weight 4Kg.

**CVKC8K-2**

As CVK8K1 but two button version speaker unit Art.8833-2/Colour, 2 videophones Art.3656, 2 power transformers and a video distributor Art.316N. Packing: cardboard 23x53x16 cm total weight 7 Kg.

**CVKC8K-1S, CVKC8K-2S**

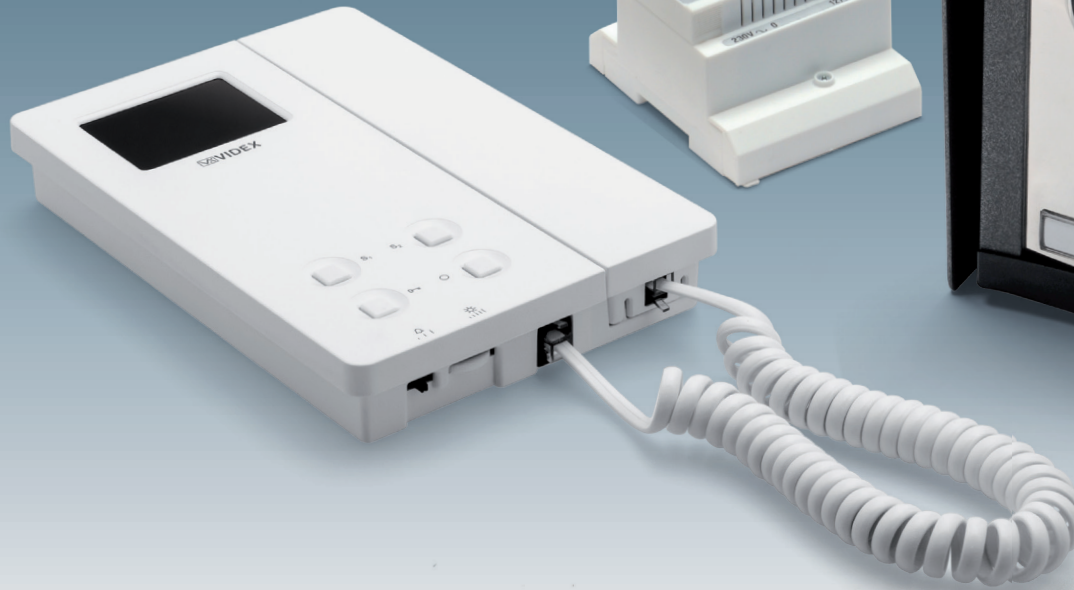
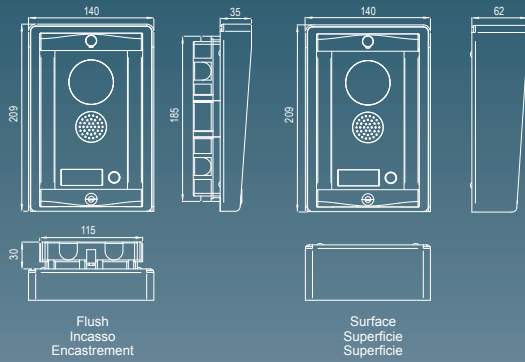
As the flush mount versions but with surface mounting box Art.8887. Packing: the same as relevant flush models with total weight 4.5 Kg for one button version and 7.5 Kg for two button version.

The module support, the surface mounting box and the module front plate are available in other finishes, see picture 2 on page 38 for available versions and additional suffix to use for orders.

The above colour kits can be ordered with an alternative model videophone, see page 40 and 41 to check their features, code, photos and dimensions.

\* Available also with Wide Angle camera option.  
\*\* Some LED's require additional connections in order to work.





CVK8K-1S/BL/6000



**CVK8K/6000 SERIES VIDEOKIT**



The CVK8K series videokits offers a number of new operating features and allows greater flexibility for installation.

- Up to 4 outdoor stations with 2 call push buttons calling 2 independent apartments;
- Up to 3 peripheral devices connected in parallel to each videophone (additional videophone, extension sounder, telephone handset etc.);
- Recall (selective entrance recall on systems with 2 or more outdoor stations);
- Intercommunication between internal videophones;
- Local call tone which is different from the external push button call tone;
- Videophone incorporates "Privacy" On/Off facility (with either latched or timed activation of privacy);
- Programmable Call, conversation and door opening times;
- Dry relay contacts for electric lock;
- Power supply can be connected to the videophone or the outdoor station.

**CVK8K-1/6000**

One button videokit comprised of:

**1 Outdoor station** including speaker unit module Art.8833-1/Colour comprising of high quality auto iris lens CCD Day/Night colour camera\* with infrared illumination LEDs plus 1.5 module flush mounting box with module support and hinge Art.8855 plus a rainshield Art.8875.

Standard finishes: mirror stainless steel for the front plate and aluminium for the module support.

**1 Art.6056** Videophone incorporating a 2.4" Hi-Res full colour active matrix LCD monitor specific for "6 wire bus videokit" (CVK4K, CVR4KV and CVK8K range). It includes 4 buttons: "camera recall" "open door" "service" and "privacy". 2 LEDs\*\* indicate the privacy activated and open door. Programmable privacy duration and number of rings. Intercommunicating call and door call.

Adjustments: call tone volume switch (3 levels), picture hue, contrast and brightness.

**1 Art.850K** Power transformer in a Type A 5 module DIN box.

Packing: cardboard 57x26.6x7cm total weight 3 Kg.

**CVK8K-2/6000**

As CVK8K-1, but two button version speaker unit Art.8833-2/Colour, 2 videophones Art.6056, 2 power transformers and one video distributor Art.316N.

Packing: cardboard 26x29x25cm total weight 5.3 Kg.

**CVK8K-1S/6000, CVK8K-2S/6000**

As the flush mount versions but with surface mounting box Art.8885.

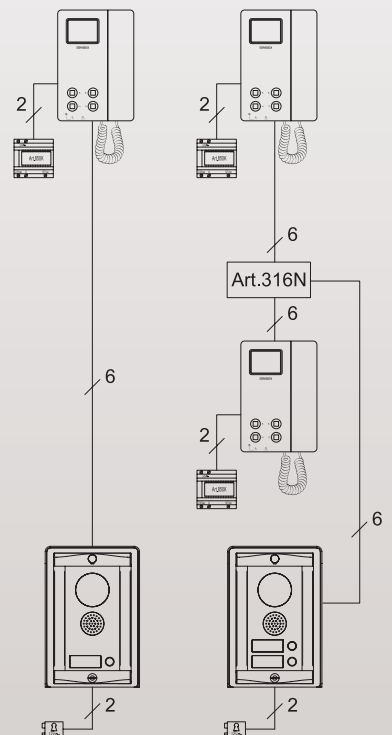
Packing: the same as relevant flush model with total weight 3.6 Kg for one button version and 5.8 Kg for two button version.

The module support, the surface mounting box and the module front plate are available in other finishes, see picture 2 on page 38 for available versions and additional suffix to use for orders.

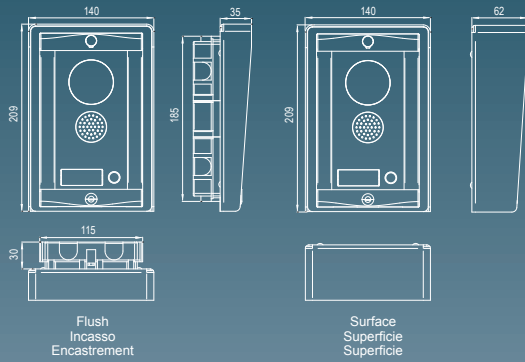
**The above colour kits can be ordered with an alternative model videophone, see page 40 and 41 to check their features, code, photos and dimensions.**

\* Available also with Wide Angle camera option.

\*\* Some LED's require additional connections in order to work.



CVK8K-1S/A/6200



**CVK8K/6200 SERIES VIDEOKIT**



The CVK8K series videokits offers a number of new operating features and allows greater flexibility for installation.

- Up to 4 outdoor stations with 2 call push buttons calling 2 independent apartments;
- Up to 3 peripheral devices connected in parallel to each videophone (additional videophone, extension sounder, telephone handset etc);
- Recall (selective entrance recall on systems with 2 or more outdoor stations);
- Intercommunication between internal videophones;
- Local call tone which is different from the external push button call tone;
- Videophone incorporates "Privacy" On/Off facility (with either latched or timed activation of privacy);
- Programmable Call, conversation and door opening times;
- Dry relay contacts for electric lock;
- Power supply can be connected to the videophone or the outdoor station.

**CVK8K-1/6200**

One button videokit comprised of:

**1 Outdoor station** including speaker unit module Art.8833-1/Colour comprising of high quality auto iris lens CCD Day/Night colour camera\* with infrared illumination LEDs plus 1.5 module flush mounting box with module support and hinge Art.8855 plus a rainshield Art.8875.

Standard finishes: mirror stainless steel for the front plate and aluminium for the module support.

**1 Art.6256** Surface mount videophone incorporating a 3.5" Hi-Res full colour active matrix LCD monitor specific for "6 wire" videokit (CVK4K, CVR4KV and CVK8K range). It includes 4 buttons: "camera recall", "open door", "service" and "privacy".

2 LED's\*\* indicate the privacy activated and open door. Programmable privacy duration and number of rings. Intercommunicating call and door call. Adjustments: call tone volume switch (3 levels), picture hue, contrast and brightness.

**1 Art.850K** Power transformer in a Type A 5 module DIN box.

Packing: cardboard 57x26.6x7cm total weight 3.3 Kg.

**CVK8K-2/6200**

As CVK8K-1, but two button version speaker unit Art.8833-2/Colour, 2 videophones Art.6256, 2 power transformers and one video distributor Art.316N.

Packing: cardboard 26x29x25cm total weight 5.9 Kg.

**CVK8K-1S/6200, CVK8K-2S/6200**

As the flush mount versions but with surface mounting box Art.8885.

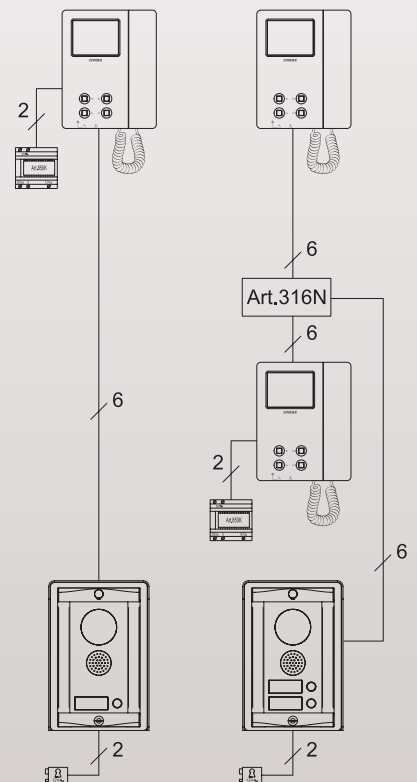
Packing: the same as relevant flush model with total weight 3.9 Kg for one button version and 3.4 Kg for two button version.

The module support, the surface mounting box and the module front plate are available in other finishes, see picture 2 on page 38 for available versions and additional suffix to use for orders.

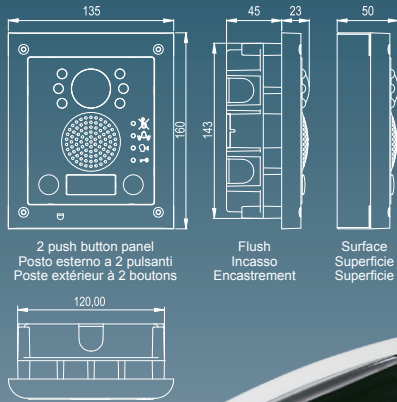
**The above colour kits can be ordered with an alternative model videophone, see page 40 and 41 to check their features, code, photos and dimensions.**

\* Available also with Wide Angle camera option.

\*\* Some LED's require additional connections in order to work.



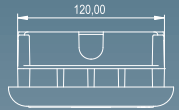




2 push button panel  
Posto esterno a 2 pulsanti  
Poste extérieur à 2 boutons

Flush  
Incastro  
Encastrement

Surface  
Superficie  
Superficie



CVK4K-1S



**CVK4K SERIES VIDEOKIT**



The CVK4K series videokits offers a number of new operating features and allows greater flexibility for installation.

- Up to 4 outdoor stations with 2 call push buttons calling 2 independent apartments;
- Up to 3 peripheral devices connected in parallel to each videophone (additional videophone, extension sounder, telephone handset etc);
- Disability Friendly - Acoustic & Visual signalling of the system status (busy, call in progress, conversation in progress and door open signalling);
- Recall (selective entrance recall on systems with 2 or more outdoor stations);
- Intercommunication between internal videophones;
- Local call tone which is different from the external push button call tone;
- Videophone incorporates "Privacy" On/Off facility (with either latched or timed activation of privacy);
- Programmable Call, conversation and door opening times;
- Dry relay contacts for electric lock;
- Power supply can be connected to the videophone or the outdoor station.

**CVK4K-1**

One button videokit comprised of:

**1 Outdoor station** including speaker unit module Art.4833-1/Colour comprising of high quality auto iris lens CCD Day/Night colour camera\* with infrared illumination LEDs plus one module flush mounting box with module support and hinge Art.4851.

Standard finishes: mirror stainless steel for the front plate and gun metal grey for the module support.

**1 Art.3656** 3600 Series Videophone with 3.5" colour TFT flat monitor, "door open/intercommunicating call", "camera recall" and "Privacy on/Call reject/Service" push button plus "on" and "door open" LEDs\*\* and one "privacy on" LED. Electronic call tone with 3 level adjustable volume. Controls: picture hue and brightness. Complete with wall mount support Art.5980.

**1 Art.850K** Power transformer in a Type A 5 module DIN box.

Packing: cardboard 43x27x10 cm total weight 2.95 Kg.

**CVK4K-2**

As CVK4K-1 but two button version speaker unit Art.4833-1D/Colour, 2 videophones Art.3656, 2 power transformers and one video distributor Art.316N.

Packing: cardboard 26x29x25cm total weight 4.6 Kg.

**CVK4K-1S, CVK4K-2S**

As the flush mount versions but with surface mounting box Art.4881.

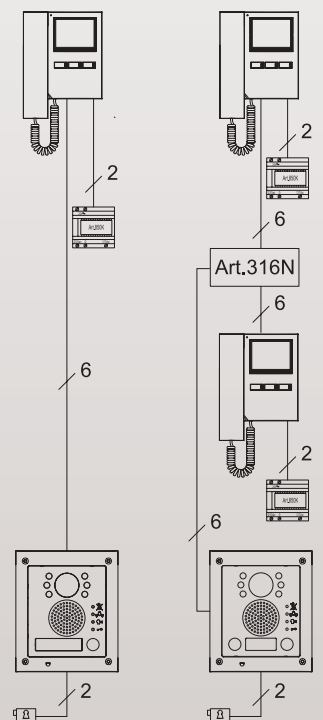
Packing: the same as relevant flush model with total weight 3.2 Kg for one button version and 4.85 Kg for two button version.

The module support frame and the module front plate are available in other finishes, see pictures 4 and 5 on page 39 for available versions and additional suffix to use for orders.

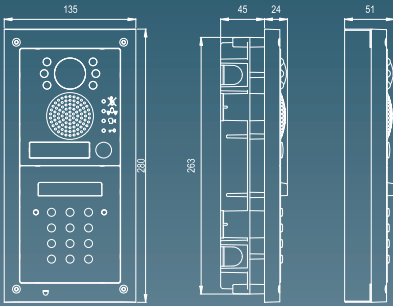
**The above colour kits can be ordered with an alternative model videophone, see page 40 and 41 to check their features, code, photos and dimensions.**

\* Available also with Wide Angle camera option.

\*\* Some LED's require additional connections in order to work.



CVKC4K-1S



1 push button panel  
Posto esterno a 1 pulsante  
Poste extérieur à 1 bouton

Flush  
Incastro  
Encastrement

Surface  
Superficie  
Superficie



**CVKC4K SERIES VIDEOCODE KIT**



With the addition of a VIDEX stand-alone digital code lock module Art.4800 added to the large number of features offered by the CVKC4K videokit. The user can open the door from the outside by entering an access code through the keypad.

**CVKC4K-1**

One button videokit comprised of:

**1 Outdoor station** including speaker unit module Art.4833-1/Colour comprising of high quality auto iris lens CCD Day/Night colour camera\* with infrared illumination LEDs plus one code lock module Art.4800 (3 codes / 3 relay outputs) and a two module flush mounting box with module support and hinge Art.4852.  
Standard finishes: mirror stainless steel for the front plate and gun metal grey for the module support.

**1 Art.3656** 3600 Series Videophone with 3.5" colour TFT flat monitor, "door open/intercommunicating call", "camera recall" and "Privacy on/Call reject/Service" push button plus "on" and "door open" LEDs\*\* and one "privacy on" LED. Electronic call tone with 3 level adjustable volume. Controls: picture hue and brightness. Complete with wall mount support Art.5980.

**1 Art.850K** Power transformer in a Type A 5 module DIN box.

Packing: cardboard 41x35x10cm Total weight 3.7 Kg.

**CVKC4K-2**

As CVKC4K-1 but two button version speaker unit Art.4833-1D/Colour, 2 videophones Art.3656, 2 power transformers and a video distributor Art.316N.

Packing: cardboard 26x29x25cm total weight 5 Kg.

**CVKC4K-1S, CVKC4K-2S**

As the flush mount versions but with surface mounting box Art.4882.

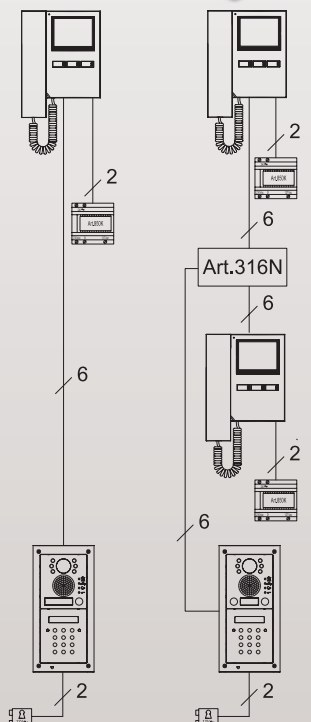
Packing: the same as relevant flush models with total weight 4 Kg for one button version and 5.5 Kg for two button version.

The module support frame and the module front plate are available in other finishes, **see pictures 4 and 5 on page 39** for available versions and additional suffix to use for orders.

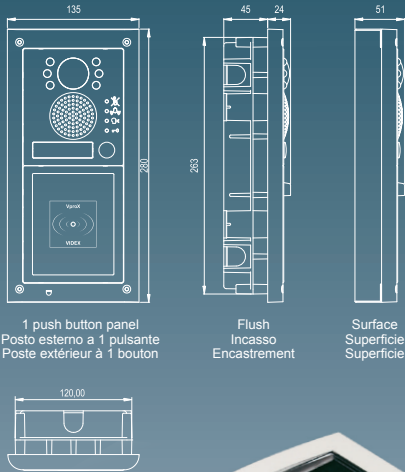
**The above colour kits can be ordered with an alternative model videophone, see page 40 and 41 to check their features, code, photos and dimensions.**

\* Available also with Wide Angle camera option.

\*\* Some LED's require additional connections in order to work.







1 push button panel  
Posto esterno a 1 pulsante  
Poste extérieur à 1 bouton

Flush  
Incastro  
Encastrement

Surface  
Superficie  
Superficie



CVKX4K-1S



**CVKX4K SERIES VIDEPROX KIT**



With the addition of a VIDEX stand-alone proximity reader Art.4850. Adding proximity fob access control to the large number of features offered by the CVK4K videokit. The user can open the door from the outside by simply presenting a card/fob to the external reader.

**CVKX4K-1**

One button videokit comprised of:

**1 Outdoor station** including speaker unit module Art.4833-1/Colour comprising of high quality auto iris lens CCD Day/Night colour camera\* with infrared illumination LEDs plus one stand-alone proximity key reader Art.4850 (up to 100 keys / 1 relay output) and a two modules flush mounting box with module support and hinge Art.4852.  
Standard finishes: mirror stainless steel for the front plate and gun metal grey for the module support.

**1 Art.3656** 3600 Series Videophone with 3.5" colour TFT flat monitor, "door open/intercommunicating call", "camera recall" and "Privacy on/Call reject/Service" push button plus "on" and "door open" LEDs\*\* and one "privacy on" LED. Electronic call tone with 3 level adjustable volume. Controls: picture hue and brightness. Complete with wall mount support Art.5980.

**1 Art.850K** Power transformer in a Type A 5 module DIN box.

**3 Art.955/C** Coded proximity key card format (tag Art.955/T available on request)

Packing: cardboard 41x35x10cm Total weight 4 Kg.

**CVKX4K-2**

As CVKX4K-1 but with two button version speaker unit Art.4833-1D/Colour, 2 videophones Art.3656, 2 power transformers and a video distributor Art.316N.

Packing: cardboard 23x53x16cm total weight 5.6 Kg.

**CVKX4K-1S, CVKX4K-2S**

As the flush mount versions but with surface mounting box Art.4882.

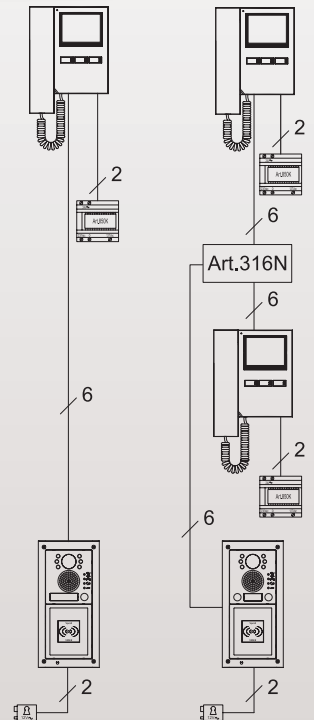
Packing: the same as relevant flush models with total weight 4.4Kg for one button version and 6 Kg for two button version.

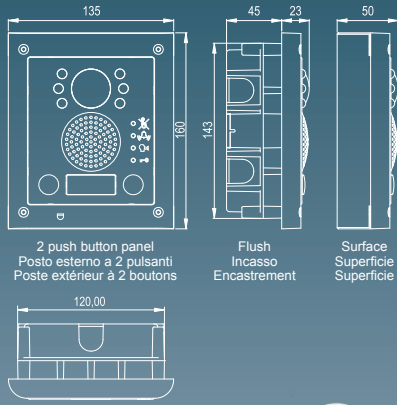
The module support frame and the module front plate are available in other finishes, **see pictures 4 and 5 on page 39** for available versions and additional suffix to use for orders.

**The above colour kits can be ordered with an alternative model videophone, see page 40 and 41 to check their features, code, photos and dimensions.**

\* Available also with Wide Angle camera option.

\*\* Some LED's require additional connections in order to work.





2 push button panel  
Posto esterno a 2 pulsanti  
Poste extérieur à 2 boutons

Flush  
Incasso  
Encastrement

Surface  
Superficie  
Superficie

CVK4K-1S/6000



**CVK4K/6000 SERIES VIDEOKIT**



The CVK4K series videokits offers a number of new operating features and allows greater flexibility for installation.

- Up to 4 outdoor stations with 2 call push buttons calling 2 independent apartments;
- Up to 3 peripheral devices connected in parallel to each videophone (additional videophone, extension sounder, telephone handset etc);
- Disability Friendly - Acoustic & Visual signalling of the system status (busy, call in progress, conversation in progress and door open signalling);
- Recall (selective entrance recall on systems with 2 or more outdoor stations);
- Intercommunication between internal videophones;
- Local call tone which is different from the external push button call tone;
- Videophone incorporates "Privacy" On/Off facility (with either latched or timed activation of privacy);
- Programmable Call, conversation and door opening times;
- Dry relay contacts for electric lock;
- Power supply can be connected to the videophone or the outdoor station.

**CVK4K-1/6000**

One button videokit comprised of:

**1 Outdoor station** including speaker unit module Art.4833-1/Colour comprising of high quality auto iris lens CCD Day/Night colour camera\* with infrared illumination LEDs plus one module flush mounting box with module support and hinge Art.4851.

Standard finishes: mirror stainless steel for the front plate and gun metal grey for the module support.

**1 Art.6056** Videophone incorporating a 2.4" Hi-Res full colour active matrix LCD monitor specific for "6 wire bus videokit" (CVK4K, CVR4KV and CVK8K range). It includes 4 buttons: "camera recall" "open door" "service" and "privacy". 2 LEDs\*\* indicate the privacy activated and open door. Programmable privacy duration and number of rings. Intercommunicating call and door call.

Adjustments: call tone volume switch (3 levels), picture hue, contrast and brightness.

**1 Art.850K** Power transformer in a Type A 5 module DIN box.

Packing: cardboard 43x27x10 cm total weight 2.7 Kg.

**CVK4K-2/6000**

As CVK4K-1 but two button version speaker unit Art.4833-1D/Colour, 2 videophones Art.6056, 2 power transformers and one video distributor Art.316N.

Packing: cardboard 26x29x25cm total weight 4.15 Kg.

**CVK4K-1S/6000, CVK4K-2S/6000**

As the flush mount versions but with surface mounting box Art.4881.

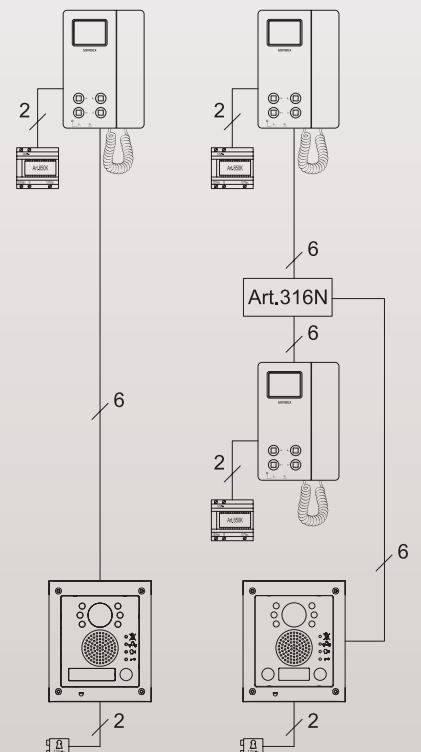
Packing: the same as relevant flush model with total weight 3 Kg for one button version and 4.4 Kg for two button version.

The module support frame and the module front plate are available in other finishes, **see pictures 4 and 5 on page 39** for available versions and additional suffix to use for orders.

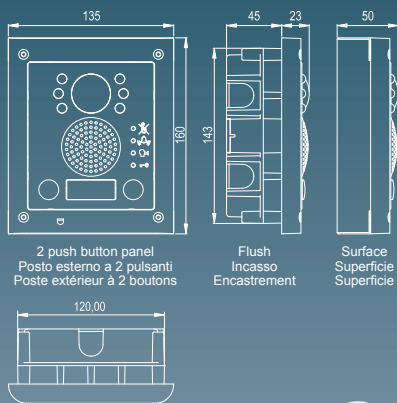
**The above colour kits can be ordered with an alternative model videophone, see page 40 and 41 to check their features, code, photos and dimensions.**

\* Available also with Wide Angle camera option.

\*\* Some LED's require additional connections in order to work.







CVK4K-1S/6200



**CVK4K/6200 SERIES VIDEOKIT**



- The CVK4K series videokits offers a number of new operating features and allows greater flexibility for installation.
- Up to 4 outdoor stations with 2 call push buttons calling 2 independent apartments;
  - Up to 3 peripheral devices connected in parallel to each videophone (additional videophone, extension sounder, telephone handset etc);
  - Disability Friendly - Acoustic & Visual signalling of the system status (busy, call in progress, conversation in progress and door open signalling);
  - Recall (selective entrance recall on systems with 2 or more outdoor stations);
  - Intercommunication between internal videophones;
  - Local call tone which is different from the external push button call tone;
  - Videophone incorporates "Privacy" On/Off facility (with either latched or timed activation of privacy);
  - Programmable Call, conversation and door opening times;
  - Dry relay contacts for electric lock;
  - Power supply can be connected to the videophone or the outdoor station.

**CVK4K-1/6200**

One button videokit comprised of:  
**1 Outdoor station** including speaker unit module Art.4833-1/Colour comprising of high quality auto iris lens CCD Day/Night colour camera\* with infrared illumination LEDs plus one module flush mounting box with module support and hinge Art.4851.  
 Standard finishes: mirror stainless steel for the front plate and gun metal grey for the module support.  
**1 Art.6256** Surface mount videophone incorporating a 3.5" Hi-Res full colour active matrix LCD monitor specific for "6 wire" videokit (CVK4K, CVR4KV and CVK8K range). It includes 4 buttons: "camera recall", "open door", "service" and "privacy", 2 LED's\*\* indicate the privacy activated and open door. Programmable privacy duration and number of rings. Intercommunicating call and door call. Adjustments: call tone volume switch (3 levels), picture hue, contrast and brightness.  
**1 Art.850K** Power transformer in a Type A 5 module DIN box.  
 Packing: cardboard 43x27x10 cm total weight 2.8 Kg.

**CVK4K-2/6200**

As CVK4K-1 but two button version speaker unit Art.4833-1D/Colour, 2 videophones Art.6256, 2 power transformers and one video distributor Art.316N.  
 Packing: cardboard 26x29x25cm total weight 4.5 Kg.

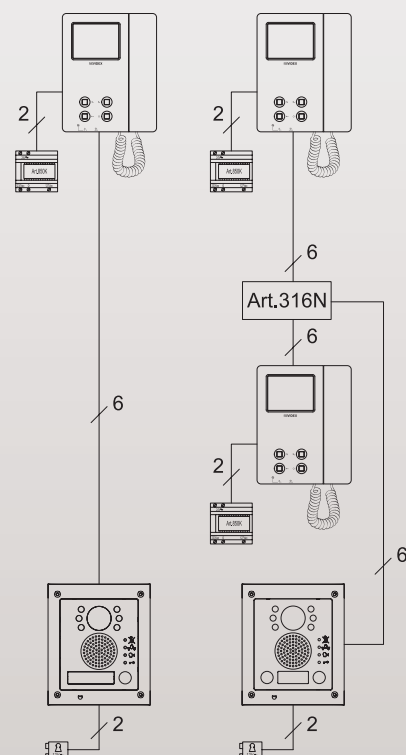
**CVK4K-1S/6200, CVK4K-2S/6200**

As the flush mount versions but with surface mounting box Art.4881.  
 Packing: the same as relevant flush model with total weight 3.1 Kg for one button version and 4.7 Kg for two button version.

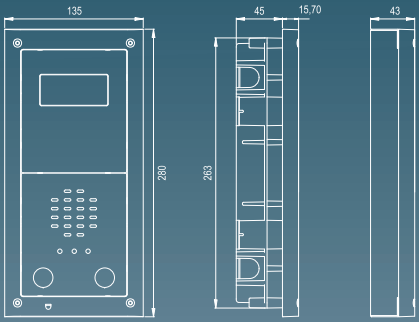
The module support frame and the module front plate are available in other finishes, see pictures 4 and 5 on page 39 for available versions and additional suffix to use for orders.

The above colour kits can be ordered with an alternative model videophone, see page 40 and 41 to check their features, code, photos and dimensions.

\* Available also with Wide Angle camera option.  
 \*\* Some LED's require additional connections in order to work.



CVR4KV-1S



2 push button panel  
Posto esterno a 2 pulsanti  
Poste extérieur à 2 boutons

Flush  
Incasso  
Encastrement

Surface  
Superficie  
Superficie



**CVR4KV SERIES VIDEOKIT**



The CVR4KV is a new range of vandal resistant videokits. Developed from the popular VK4K videokit, the VR4KV offers a number of operating features and allows greater flexibility for installation. The face plate is manufactured from 2.5 mm stainless steel.

- Up to 4 outdoor stations (video or audio only) with 2 call push buttons calling 2 independent apartments;
- Up to 3 peripheral devices connected in parallel to each videophone (additional videophone, extension sounder, telephone handset etc.);
- Disable Friendly - Acoustic & Visual signalling of the system status (conversation in progress, busy and door open signalling);
- Recall (selective entrance recall on systems with 2 or more outdoor stations);
- Intercommunication between internal videophones;
- Local call tone which is different from the external push button call tone;
- Videophone incorporates "Privacy" On/Off facility (with either latched or timed activation of privacy);
- Programmable Call, conversation and door opening times;
- Dry relay contacts for electric lock;
- Power supply can be connected to the videophone or the outdoor station.

**CVR4KV-1**

One button videokit comprising of:

**1 Outdoor station** including speaker unit Art.VR4KAMK-1 and camera module Art.VR4KCMC comprising of high quality auto iris lens CCD Day/Night colour camera\* with infrared illumination LEDs plus two module flush mounting box with module support and hinge Art.4852. Standard finish: brushed stainless steel for the front plate and gun metal grey for the module support.

**1 Art.3656** 3600 Series Videophone with 3.5" colour TFT flat monitor, "door open/intercommunicating call", "camera recall" and "Privacy on/Call reject/Service" push button plus "on" and "door open" LEDs\*\* and one "privacy on" LED. Electronic call tone with 3 level adjustable volume. Controls: picture hue and brightness. Complete with wall mount support Art.5980.

**1 Art.850K** Power transformer in a Type A 5 module DIN box.

Packing: briefcase 45x41x10cm total weight 5.4 Kg.

**CVR4KV-2**

As CVR4KV-1 but two call button version speaker unit Art.VR4KAMK-2, 2 videophones Art.3656, 2 power transformers Art.850K and one video distributor Art.316N.

Packing: cardboard 26x29x25cm total weight 7.1 Kg.

**CVR4KV-1S, CVR4KV-2S**

As the flush mount versions but with surface mounting box (Art.4882).

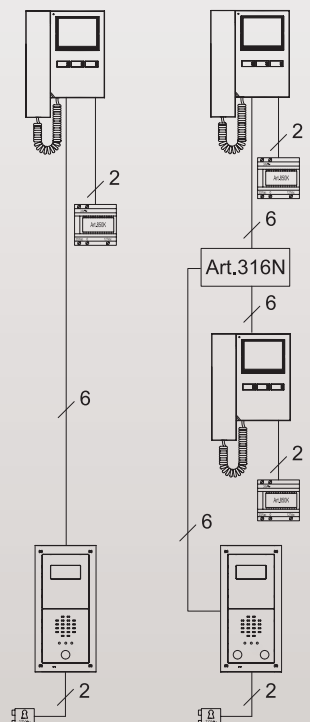
Packing: the same as relevant flush model with total weight 5.7 Kg for one button version and 7.4 Kg for two button version.

The module support frame is available in other finishes, see pictures 5 on page 39 for available versions and additional suffix to use for orders.

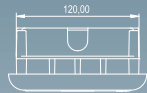
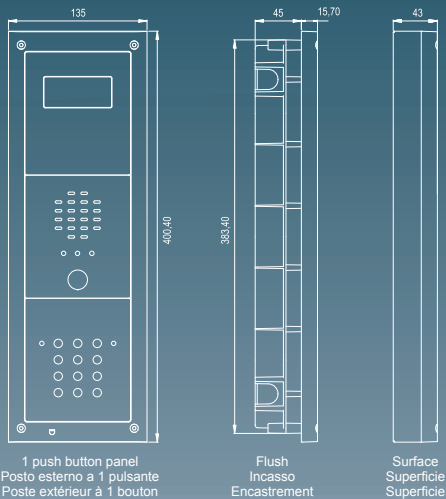
**The above colour kits can be ordered with an alternative model videophone, see page 40 and 41 to check their features, code, photos and dimensions.**

\* Available also with Wide Angle camera option.

\*\* Some LED's require additional connections in order to work.







CVR4KV-1S/CL

**CVR4KV/CL SERIES VIDEOKIT**



With the addition of a VIDEX stand-alone digital codelock module Art.VR4KCLM added to the large number of features offered by the CVR4KV videokit. The user can open the door from the outside by entering an access code through the keypad.

**CVR4KV-1/CL**

One button videokit comprised of:

**1 Outdoor station** including one speaker unit module Art.VR4KAMK-1, camera module Art.VR4KCMC comprising of high quality auto iris lens CCD Day/Night colour camera\* with infrared illumination LEDs plus one codelock module Art.VR4KCLM (2 codes / 2 relays) and a three modules flush mounting box with module support and hinge (Art.4853).

Standard finish: brushed stainless steel for the front plate and gun metal grey for the module support.

**1 Art.3656** 3600 Series Videophone with 3.5" colour TFT flat monitor, "door open/intercommunicating call", "camera recall" and "Privacy on/Call reject/Service" push button plus "on" and "door open" LEDs\*\* and one "privacy on" LED. Electronic call tone with 3 level adjustable volume. Controls: picture hue and brightness. Complete with wall mount support Art.5980.

**1 Art.850K** Power transformer in a Type A 5 module DIN box.

Packing: cardboard 54x17x24cm total weight 6.2 Kg.

**CVR4KV-2/CL**

As CVR4KV-1/CL but with two call button version speaker unit module Art.VR4KAMK-2, 2 videophones Art.3656, 2 power transformers Art.850K and one video distributor Art.316N.

Packing: cardboard 54x17x24 cm total weight 7.9 Kg.

**CVR4KV-1S/CL, CVR4KV-2S/CL,**

As the flush mount versions but with surface mounting box Art.4883.

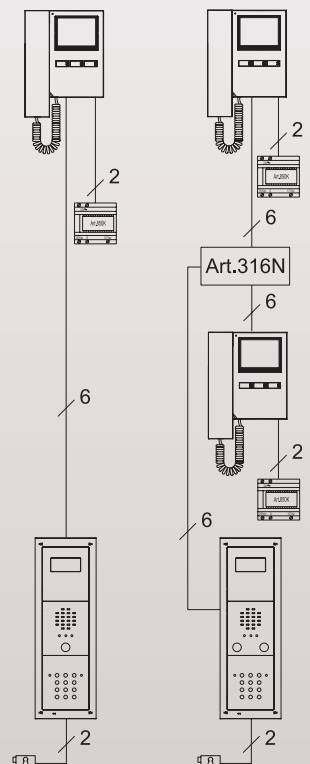
Packing: the same as flush models but with total weight of 6.7 Kg for one button version and 8.4 Kg for two button version.

The module support frame is available in other finishes, **see pictures 5 on page 39** for available versions and additional suffix to use for orders.

**The above colour kits can be ordered with an alternative model videophone, see page 40 and 41 to check their features, code, photos and dimensions.**

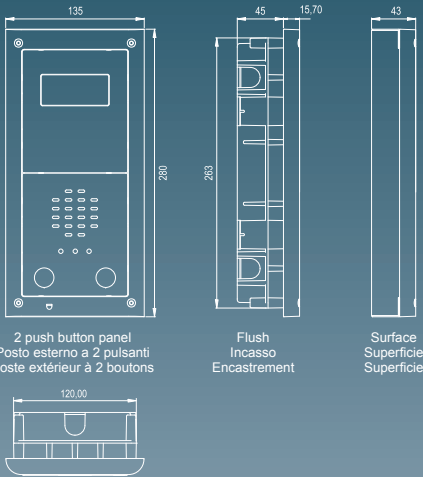
\* Available also with Wide Angle camera option.

\*\* Some LED's require additional connections in order to work.





CVR4KV-1 S/6200



2 push button panel  
Posto esterno a 2 pulsanti  
Poste extérieure à 2 boutons

Flush  
Incasso  
Encastrement

Surface  
Superficie  
Superficie



### CVR4KV/6200 SERIES VIDEOKIT



The CVR4KV is a new range of vandal resistant videokits. Developed from the popular VK4K videokit, the VR4KV offers a number of operating features and allows greater flexibility for installation. The face plate is manufactured from 2.5 mm stainless steel.

- Up to 4 outdoor stations (video or audio only) with 2 call push buttons calling 2 independent apartments;
- Up to 3 peripheral devices connected in parallel to each videophone (additional videophone, extension sounder, telephone handset etc.);
- Disable Friendly - Acoustic & Visual signalling of the system status (conversation in progress, busy and door open signalling);
- Recall (selective entrance recall on systems with 2 or more outdoor stations);
- Intercommunication between internal videophones;
- Local call tone which is different from the external push button call tone;
- Videophone incorporates "Privacy" On/Off facility (with either latched or timed activation of privacy);
- Programmable Call, conversation and door opening times;
- Dry relay contacts for electric lock;
- Power supply can be connected to the videophone or the outdoor station.

#### CVR4KV-1

One button videokit comprising of:

**1 Outdoor station** including speaker unit module Art.VR4KAMK-1 and camera module Art.VR4KCMC comprising of high quality auto iris lens CCD Day/Night colour camera\* with infrared illumination LEDs plus two module flush mounting box with module support and hinge Art.4852. Standard finish: brushed stainless steel for the front plate and gun metal grey for the module support.

**1 Art.6256** Surface mount videophone incorporating a 3.5" Hi-Res full colour active matrix LCD monitor specific for "6 wire" videokit (CVR4K, CVR4KV and CVR8K range). It includes 4 buttons: "camera recall", "open door", "service" and "privacy".

2 LED's\*\* indicate the privacy activated and open door. Programmable privacy duration and number of rings. Intercommunicating call and door call. Adjustments: call tone volume switch (3 levels), picture hue, contrast and brightness.

**1 Art.850K** Power transformer in a Type A 5 module DIN box.

Packing: briefcase 45x41x10cm total weight 5.3 Kg.

#### CVR4KV-2

As CVR4KV-1 but two call button version speaker unit Art.VR4KAMK-2, 2 videophones Art.6256, 2 power transformers Art.850K and one video distributor Art.316N.

Packing: cardboard 26x29x25cm total weight 7 Kg.

#### CVR4KV-1S, CVR4KV-2S

As the flush mount versions but with surface mounting box (Art.4882).

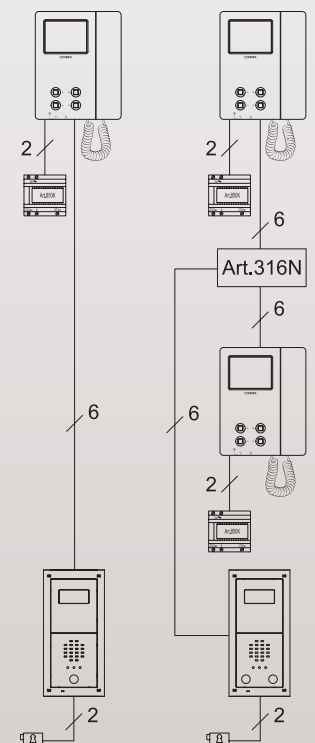
Packing: the same as relevant flush model with total weight 5.6 Kg for one button version and 7.3 Kg for two button version.

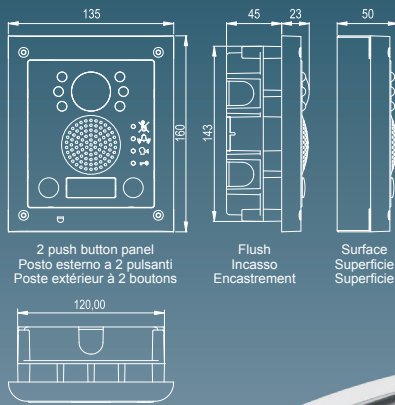
The module support frame is available in other finishes, see pictures 5 on page 39 for available versions and additional suffix to use for orders.

The above colour kits can be ordered with an alternative model videophone, see page 40 and 41 to check their features, code, photos and dimensions.

\* Available also with Wide Angle camera option.

\*\* Some LED's require additional connections in order to work.





2 push button panel  
Posto esterno a 2 pulsanti  
Poste extérieur à 2 boutons

Flush Incasso  
Encastrement

Surface Superficie  
Superficie



CESVK-1S



## 2 WIRE BUS VIDEOKIT CESVK SERIES



The CESVK video kits require only 2 wires to carry video, audio and data. Developed from the VX2300 2 Wire digital video door entry system, the video kit uses the same devices (intercoms, videophones, videomonitors, distributors, exchangers, power supplies etc.) and offers the following facilities:

- Facility to make multiple entrance systems using the exchanger Art.2301N;
- Facility to make systems with up to 7 users (requires Art.4333 firmware revision 2.0 or later and the purchase of additional items);
- Facility to connect up to 4 intercoms/videophones in parallel using the distributor Art.318 (if videophones must be switched on at the same time, the additional videophones must be powered separately);
- Intercommunication between intercoms/videophones inside the same apartment or between intercoms/videophones inside different apartments (two way videokit);
- The use of the Art.2305 BUS relay for additional services;
- Disability Friendly - Acoustic & Visual signalling of the system status (busy, call in progress, conversation in progress and door open signalling);
- Recall (selective entrance recall on systems with 2 or more outdoor stations);
- Local call tone which is different from the external push button call tone;
- Videophone incorporates "Privacy" On/Off facility (with either latched or timed activation of privacy);
- Programmable Call, conversation and door opening times;
- Dry relay contacts for electric lock.

### CESVK-1

One button videokit comprising of:

**1 Outdoor station** including speaker unit module Art.4333-1/Colour comprising of high quality auto iris lens CCD Day/Night colour camera\* with infrared illumination LEDs plus one module flush mounting box with module support and hinge Art.4851.

Standard finish: mirror stainless steel for the front plate and gun metal grey for the module support.

**1 Art.3686** 3600 Series Videophone with 3.5" colour TFT flat monitor, "door open/intercommunicating call", "camera recall" and "Privacy on/Service" push button plus "on" and "door open" LEDs\*\* and one "privacy on" LED. Electronic call tone with 3 level adjustable volume. Controls: picture hue and brightness. Complete with wall mount support Art.5980.

**1 Art.2321** Specific power supply in a Type A 9 module DIN box.

Packing: cardboard 43x27x10 cm total weight 3,8 Kg.

### CESVK-2

As CESVK-1 but two call button version speaker unit Art.4333-1D/Colour and 2 videophones Art.3686.

Packing: cardboard 26x29x25cm total weight 4,15Kg.

### CESVK-1S, CESVK-2S

As the versions with the flush outdoor station but with surface mounting box Art.4881.

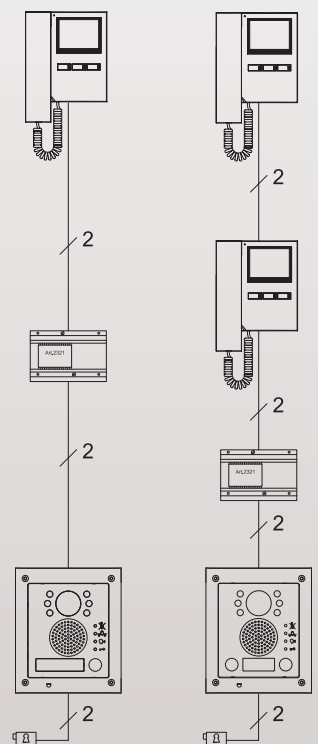
Packing: the same as equivalent flush model with total weight of 4,1 Kg for one button version and 4,45 Kg for two button version.

The module support frame and the module front plate are available in other finishes, **see pictures 4 and 5 on page 39** for available versions and additional suffix to use for orders.

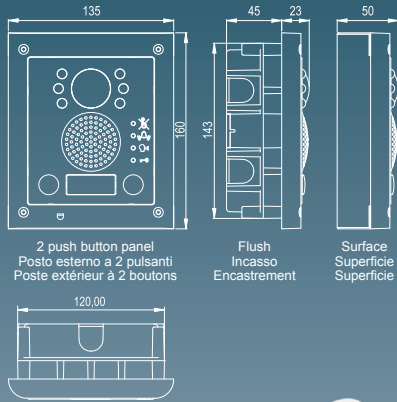
**The above colour kits can be ordered with an alternative model videophone, see page 40 and 41 to check their features, code, photos and dimensions.**

\* Available also with Wide Angle camera option.

\*\* Some LED's require additional connections in order to work.







2 push button panel  
Posto esterno a 2 pulsanti  
Poste extérieur à 2 boutons

Flush  
Incasso  
Encastrement

Surface  
Superficie  
Superficie

CESVK-1S/6286



## 2 WIRE BUS VIDEOKIT CESVK/6286 SERIES



The CESVK video kits require only 2 wires to carry video, audio and data. Developed from the VX2300 2 Wire digital video door entry system, the video kit uses the same devices (intercoms, videophones, videomonitors, distributors, exchangers, power supplies etc.) and offers the following facilities:

- Facility to make multiple entrance systems using the exchanger Art.2301N;
- Facility to make systems with up to 7 users (requires Art.4333 firmware revision 2.0 or later and the purchase of additional items);
- Facility to connect up to 4 intercoms/videophones in parallel using the distributor Art.318 (if videophones must be switched on at the same time, the additional videophones must be powered separately);
- Intercommunication between intercoms/videophones inside the same apartment or between intercoms/videophones inside different apartments (two way videokit);
- The use of the Art.2305 BUS relay for additional services;
- Disability Friendly - Acoustic & Visual signalling of the system status (busy, call in progress, conversation in progress and door open signalling);
- Recall (selective entrance recall on systems with 2 or more outdoor stations);
- Local call tone which is different from the external push button call tone;
- Videophone incorporates "Privacy" On/Off facility (with either latched or timed activation of privacy);
- Programmable Call, conversation and door opening times;
- Dry relay contacts for electric lock.

### CESVK-1/6286

One button videokit comprising of:

**1 Outdoor station** including speaker unit module Art.4333-1/Colour comprising of high quality auto iris lens CCD Day/Night colour camera\* with infrared illumination LEDs plus one module flush mounting box with module support and hinge Art.4851.

Standard finish: mirror stainless steel for the front plate and gun metal grey for the module support.

**1 Art.6286** Surface mount videophone using 3.5" full colour active matrix LCD monitor for VX2300. Including 4 buttons "service", "privacy/bus relay activation", "door- open/intercommunicating call" and "camera recall" plus 3 LED's\* for visual indication of all functions. Adjustments & programmable options: call tone volume on 3 levels (low, medium, high), picture hue, brightness and contrast, call tone melody, number of rings, privacy duration and address. Also includes a local bell function.

**1 Art.2321** Specific power supply in a Type A 9 module DIN box.

Packing: cardboard 43x27x10 cm total weight: 3.7 Kg.

### CESVK-2/6286

As CESVK-1 but two call button version speaker unit Art.4333-1D/Colour and 2 videophones Art.6286.

Packing: cardboard 26x29x25cm total weight 4 Kg.

### CESVK-1S/6286, CESVK-2S/6286

As the versions with the flush mount outdoor station but with surface mounting box Art.4881.

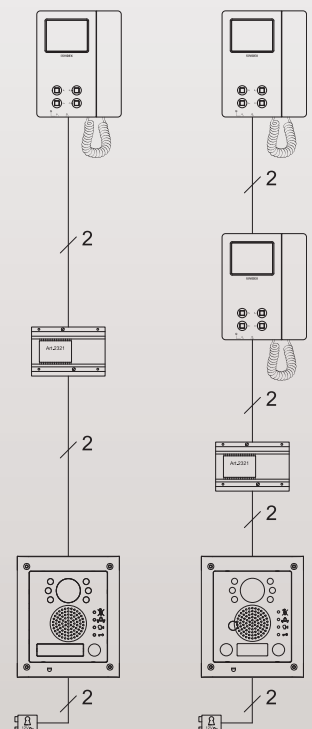
Packing: the same as equivalent flush model with total weight of 4 Kg for one button version and 4.8 Kg for two button version.

The module support frame and module front plate are available in other finishes, see pictures 4 and 5 on page 39 for available versions and additional suffix to use for orders.

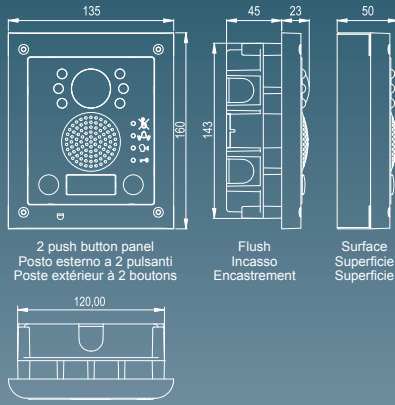
**The above colour kits can be ordered with an alternative model videophone, see page 40 and 41 to check their features, code, photos and dimensions.**

\* Available also with Wide Angle camera option.

\*\* Some LED's require additional connections in order to work.







CESVK-1S/ECLIPSE

## 2 WIRE BUS VIDEOKIT CESVK/ECLIPSE SERIES



The CESVK/ECLIPSE kits require only 2 wires to carry video, audio and data. Developed from the VX2300 2 Wire digital video door entry system, the video kit uses the same devices (intercoms, videophones, videomonitors, distributors, exchangers, power supplies etc.) and offers the following facilities:

- Facility to make multiple entrance systems using the exchanger Art.2301N;
- Facility to make systems with up to 7 users (requires Art.4333 firmware revision 2.0 or later and the purchase of additional items);
- Facility to connect up to 4 intercoms/videophones in parallel using the distributor Art.318 (if videophones must be switched on at the same time, the additional videophones must be powered separately);
- Intercommunication between intercoms/videophones inside the same apartment or between intercoms/videophones inside different apartments (two way videokit);
- The use of the Art.2305 BUS relay for additional services;
- Disability Friendly - Acoustic & Visual signalling of the system status (busy, call in progress, conversation in progress and door open signalling);
- Recall (selective entrance recall on systems with 2 or more outdoor stations);
- Local call tone which is different from the external push button call tone;
- Videophone incorporates "Privacy" On/Off facility (with either latched or timed activation of privacy);
- Programmable Call, conversation and door opening times;
- Dry relay contacts for electric lock.

### CESVK-1/ECLIPSE

One button videokit comprising of:

**1 Outdoor station** including speaker module Art.4333-1/Colour comprising of high quality auto iris lens CCD Day/Night colour camera\* with infrared illumination LEDs plus one module flush mounting box with module support and hinge Art.4851.

Standard finish: mirror stainless steel for the front plate and gun metal grey for the module support.

**1 Art.SL5488** Intelligent Hands free video monitor using 3.5" full colour active matrix LCD monitor, with "door open/intercommunicating call", "answer/camera recall", "privacy on/off", "bus relay activation" buttons all with LED\*\* indication and 2 additional service buttons. Controls: loudspeaker volume, call tone volume, brightness and hue. Programmable number of rings, privacy duration and intercommunication mode. Electronic call tone plus active low inputs for local bell and alarm.

**1 Art.2321** Specific power supply in a Type A 9 module DIN box.

Packing: cardboard 43x27x10 cm total weight 4.3 Kg.

### CESVK-2/ECLIPSE

As CESVK-1/ECLIPSE but two call button version speaker unit Art.4333-1D/Colour and 2 videophones Art.SL5488.

Packing: cardboard 26x29x25cm total weight 4.35 Kg.

### CESVK-1S/ECLIPSE, CESVK-2S/ECLIPSE

As the versions with the flush outdoor station but with surface mounting box Art.4881.

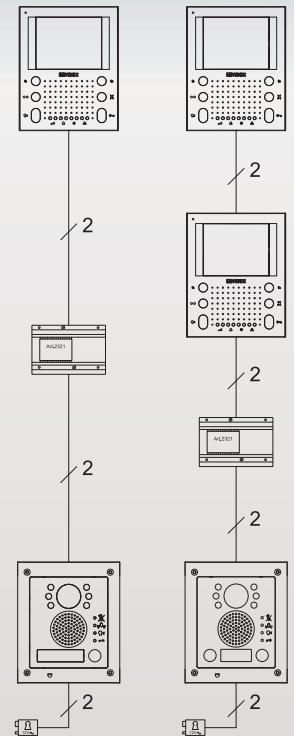
Packing: the same as equivalent flush model with total weight of 4.6 Kg for one button version and 5.45 Kg for two button version.

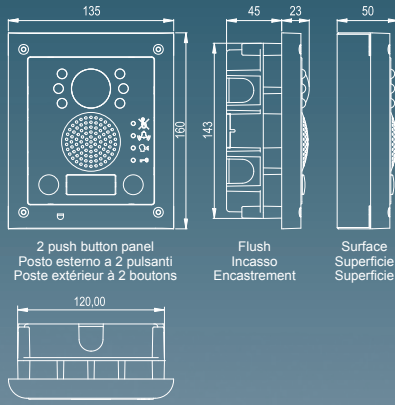
The module support frame, the module front plate and the videophone are available in other finishes, **see pictures 4, 5 and 6 on page 39** for available versions and additional suffix to use for orders.

**The above colour kits can be ordered with an alternative model videophone, see page 40 and 41 to check their features, code, photos and dimensions.**

\* Available also with Wide Angle camera option.

\*\* Some LED's require additional connections in order to work.





2 push button panel  
Posto esterno a 2 pulsanti  
Poste extérieur à 2 boutons

Flush  
Incasso  
Encastrement

Surface  
Superficie  
Superficie

CESVK-1S/KRISALLO/S/B



## 2 WIRE BUS VIDEOKIT CESVK/KRISTALLO/S SERIES



The CESVK video kits require only 2 wires to carry video, audio and data. Developed from the VX2300 2 Wire digital video door entry system, the video kit uses the same devices (intercoms, videophones, videomonitors, distributors, exchangers, power supplies etc.) and offers the following facilities:

- Facility to make multiple entrance systems using the exchanger Art.2301N;
- Facility to make systems with up to 7 users (requires Art.4333 firmware revision 2.0 or later and the purchase of additional items);
- Facility to connect up to 4 intercoms/videophones in parallel using the distributor Art.318 (if videophones must be switched on at the same time, the additional videophones must be powered separately);
- Intercommunication between intercoms/videophones inside the same apartment or between intercoms/videophones inside different apartments (two way videokit);
- The use of the Art.2305 BUS relay for additional services;
- Disability Friendly - Acoustic & Visual signalling of the system status (busy, call in progress, conversation in progress and door open signalling);
- Recall (selective entrance recall on systems with 2 or more outdoor stations);
- Local call tone which is different from the external push button call tone;
- Videophone incorporates "Privacy" On/Off facility (with either latched or timed activation of privacy);
- Programmable Call, conversation and door opening times;
- Dry relay contacts for electric lock.

### CESVK-1/KRISTALLO/S

One button videokit comprising of:

**1 Outdoor station** including speaker unit module Art.4333-1/Colour comprising of high quality auto iris lens CCD Day/Night colour camera\* with infrared illumination LEDs plus one module flush mounting box with module support and hinge Art.4851.

Standard finish: mirror stainless steel for the front plate and gun metal grey for the module support.

**1 Art.KRV86** Intelligent Hands free video monitor for the VX2300 digital system using 3.5" OSD full colour active matrix LCD monitor, with touch sensitive buttons for "door open/service", "answer/camera recall", "privacy/bus relay" plus 5 navigation menu buttons and 3 LEDs\*\* related to the videophone operation. Surface mounting version.

In addition to the hands free mode the handset is also available in order to use as a traditional intercom.

**1 Art.2321** Specific power supply in a Type A 9 module DIN box.

Packing: cardboard 43x27x10 cm total weight 3.8 Kg.

### CESVK-2/KRISTALLO/S

As CESVK-1 but two call button version speaker unit Art.4333-1D/Colour and 2 videophones Art.KRV86.

Packing: cardboard 26x29x25cm total weight 4.1 Kg.

### CESVK-1S/KRISTALLO/S, CESVK-2S/KRISTALLO/S

As the versions with the flush mount outdoor station but with surface mounting box Art.4881.

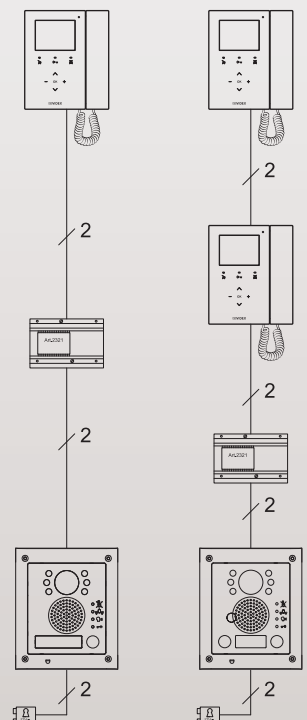
Packing: the same as equivalent flush model with total weight of 4.1 Kg for one button version and 4.9 Kg for two button version.

The module support frame, module front plate and videophone are available in other finishes, see pictures 4, 5 and 7 on page 39 for available versions and additional suffix to use for orders.

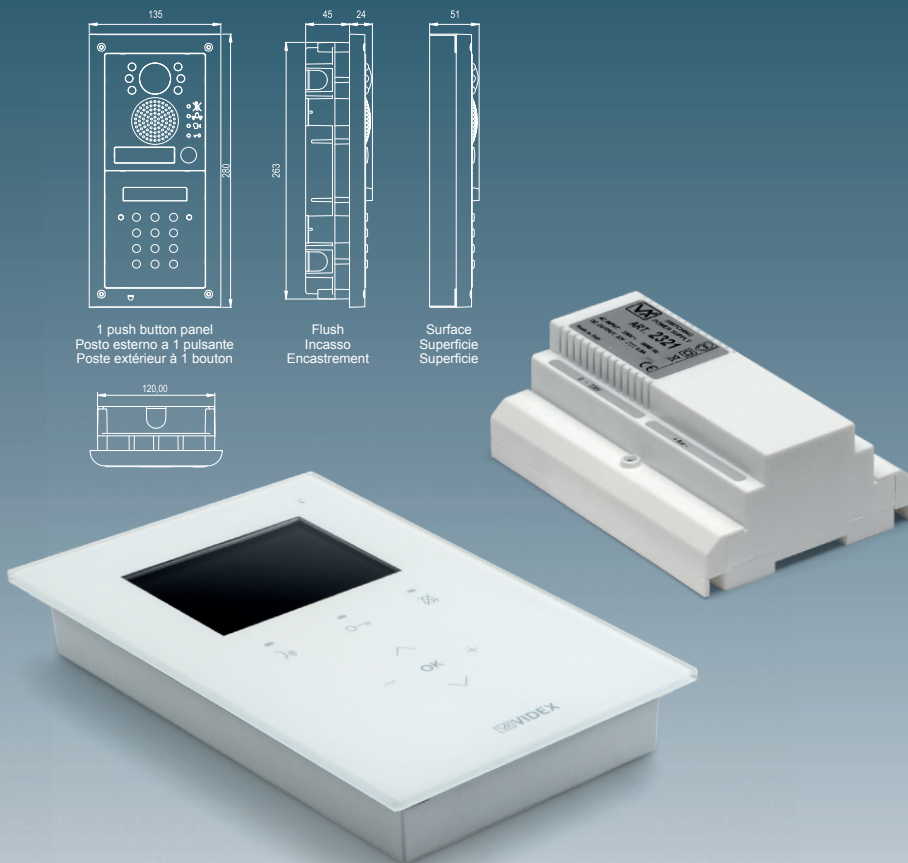
**The above colour kits can be ordered with an alternative model videophone, see page 40 and 41 to check their features, code, photos and dimensions.**

\* Available also with Wide Angle camera option.

\*\* Some LED's require additional connections in order to work.







CESVKC-1S/KRISTALLO/W



**CESVKC/KRISTALLO SERIES VIDEOCODE KIT**



With the addition of a VIDEX stand-alone digital codelock module Art.4800 added to the large number of features offered by the CESVK videokit. The user can open the door from the outside by entering an access code through the keypad.

**CESVKC-1/KRISTALLO**

One button videokit comprised of:

**1 Outdoor station** including speaker unit module Art.4333-1/Colour comprising of high quality auto iris lens CCD Day/Night colour camera\* with infrared illumination LEDs plus one codelock module Art.4800 (3 codes/ 3 relay outputs) and a two module flush mounting box with module support and hinge Art.4852. Standard finishes: mirror stainless steel for the front plate and gun metal grey for the module support.

**1 Art.KRV88** Intelligent Hands free video monitor for the VX2300 digital system using 3.5" OSD full colour active matrix LCD monitor, with touch sensitive buttons for "door open/service", "answer/camera recall", "privacy/bus relay" plus 5 navigation menu buttons and 3 LEDs\*\* related to the videophone operation. Flush or surface mounting hands free version.

**1 Art.2321** Specific power supply in a Type A 9 module DIN box.

**1 Art.2322** Specific power supply converter from BUS line to 12 Vdc in 50x60x20mm plastic box.

Packing: cardboard 41x35x10 cm. Total weight 3.6 Kg.

**CESVKC-2/KRISTALLO**

As CESVKC-1 but two button version speaker unit Art.4333-1D/Colour, 2 videophones Art.KRV88, 1 power transformer Art.2321 and 1 power supply converter Art.2322.

Packing: cardboard 23x53x16cm total weight 4 Kg.

**CESVKC-1S/KRISTALLO, CESVKC-2S/KRISTALLO**

As the versions with the flush mount outdoor station but with surface mounting box Art.4882.

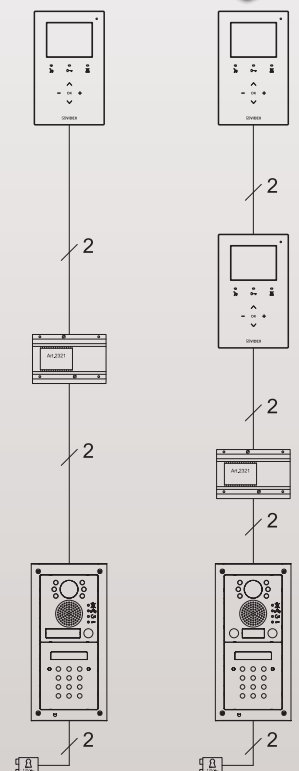
Packing: the same as relevant flush models with total weight 3.9 Kg for one button version and 4.3 Kg for two button version.

The module support frame, module front plate and videophone are available in other finishes, **see pictures 4, 5 and 7 on page 39** for available versions and additional suffix to use for orders.

**The above colour kits can be ordered with an alternative model videophone, see page 40 and 41 to check their features, code, photos and dimensions.**

\* Available also with Wide Angle camera option.

\*\* Some LED's require additional connections in order to work.







## New Videokit IP

Systems employing IP technology are becoming more and more popular and giving their widespread use Videx has developed a door entry system encompassing this technology. After more than 2 years of research and development, Videx introduces the first line of IP products, including colour camera speaker modules for the 4000 Series and IP videophones in the Kristallo Series.

Thanks to the IP technology, communication between devices can be made both locally via a LAN or private network or remotely using LAN and WAN. With the integration of the SIP protocol as standard it is also possible to connect the Videx door stations and IP Videophone to third party telephone systems which also support the SIP protocol. WiFi can also be used to communicate with tablets and smart phones running the Android operating system, a PC soft phone is also available. The 4000 Series style door panels can be customised from 1 – 64 call buttons and having a modular design enables other modules from the 4000 Series range to be integrated. Each button can call up to 10 devices. The Kristallo videophones and video monitors are available in both a white and black finish and benefit from touch controls and on screen programming. POE is also standard on the Kristallo enabling POE switches and routers to be used to connect directly to the RJ45 connector on the device.



### IP VIDEOKIT IPVK SERIES



#### IPVK-1/96

One button videokit comprising of:

**1 Outdoor station** including speaker unit module Art.4503-1 comprising of high quality auto iris lens CCD Day/Night colour camera\* with infrared illumination LEDs plus one module flush mounting box with module support and hinge Art.4851.

Standard finish: mirror stainless steel for the front plate and gun metal grey for the module support.

**1 Art.KRV96** Hands free video monitor for Videx IP system using 3.5" OSD full colour active matrix LCD monitor, with touch sensitive buttons for "door open/service", "answer/camera recall", "privacy/bus relay" plus 5 navigation menu buttons and 3 LEDs related to the videophone operation. Surface mounting version.

In addition to the hands free mode the handset is also available in order to use as a traditional intercom.

**1 Art.AMR2-12** 12Vdc power supply in a type A 2 module DIN box.

Packing: cardboard 43x27x10 cm total weight 3 Kg.

#### IPVK-2/96

As IPVK-1 but two call button version speaker unit Art.4503-1D and 2 videophones Art.KRV96.

Packing: cardboard 26x29x25cm total weight 3.3 Kg.

#### IPVK-1S/96, IPVK-2S/96

As the versions with the flush mount outdoor station but with surface mounting box Art.4881.

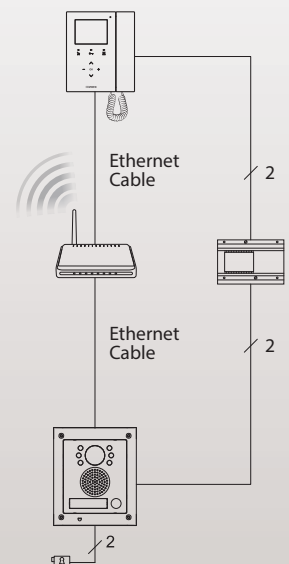
Packing: the same as equivalent flush model with total weight of 3.3 Kg for one button version and 4.1 Kg for two button version.

#### IPVK-1/98, IPVK-2/98, IPVK-1S/98, IPVK-2S/98

As the respective versions above but with the flush mount indoor station Art.KRV98.

The module support frame, module front plate and videophone are available in other finishes, see pictures 4, 5 and 7 on page 39 for available versions and additional suffix to use for orders.

\* Available also with Wide Angle camera option.



**The Art.KRV98-KRV96 VIDEX IP Kristallo videophone features includes:**

- Kristallo design with touch sensitive buttons;
- It is available in a flush mounting (handsfree) version or surface mounting version with handset (for handsfree or conventional) a desk kit is available for the surface version;
- 10/100 Mbit Ethernet interface;
- PoE or 12Vdc power supply;
- It's compatible with SIP protocol (it can be connected with VOIP switchboard systems);
- In built web server to set operation parameters;
- Firmware can be updated through a web server;
- Device search function and self setting of Videx IP devices connected on the same network;
- In built and automatic memory board;
- Privacy function with programmable activation time from 30 min to 24 h or unlimited;
- History of events;
- Intercommunication with other devices of the system (outdoor stations, videophones, tablet or PC with client installed) user can be selected through a complete contacts list or through "favorites" (communication with outdoor stations is audio/video type and it's possible to activate the relays);
- It is possible to activate the relays of the outdoor stations through a specific menu;
- "Weather forecast" function through google weather service (it requires the device to be connected to the internet);
- Melody and theme can be customized by loading audio files and pictures.

**The Art.4503 VIDEX IP Video Speaker Unit module features includes:**

- Videx 4000 Series modular system;
- 10/100 Mbit Ethernet interface;
- Compatible with SIP protocol (it can be connected with VOIP switchboard systems);
- It recognizes DTMF tones complying with RFC2833 specification;
- In built web server to set operation parameters;
- Possibility to connect up to 66 call buttons (it requires an interface module to which it is possible to connect standard expansion modules from 4000 Series);
- 2 clean contact relay outputs (C, NC, NO) it is possible to set activation times;
- 1 "low active" input for "push to exit" button;
- It is possible to set for each call button 1 or more IP address or SIP ID's;
- Client to be used with a PC using MS Windows operating system;
- Client to be used with a tablet and smartphone using Android operation system;
- Firmware can be updated through a web server;
- Also available with Wide Angle camera.



IPVKC-1S/98W

**IP VIDEOCODE KIT IPVKC SERIES****IPVKC-1/98**

One button videokit comprising of:

**1 Outdoor station** including speaker unit module Art.4503-1 comprising of high quality auto iris lens CCD Day/Night colour camera\* with infrared illumination LEDs plus one codelock module Art.4800M (5 codes / 3 relay outputs) and a two module flush mounting box with module support and hinge Art.4852. Standard finishes: mirror stainless steel for the front plate and gun metal grey for the module support.

**1 Art.KRV98** Hands free video monitor for Videx IP system using 3.5" OSD full colour active matrix LCD monitor, with touch sensitive buttons for "door open/service", "answer/camera recall", "privacy/bus relay" plus 5 navigation menu buttons and 3 LEDs related to the videophone operation. Flush or surface mounting hands free version.

**1 Art.AMR2-12** 12Vdc power supply in a type A 2 module DIN box.  
Packing: cardboard 43x27x10 cm total weight 2.8 Kg.

**IPVKC-2/98**

As IPVKC-1 but two call button version speaker unit Art.4503-1D and 2 videophones Art.KRV98.  
Packing: cardboard 26x29x25cm total weight 3.2 Kg.

**IPVKC-1S/98, IPVKC-2S/98**

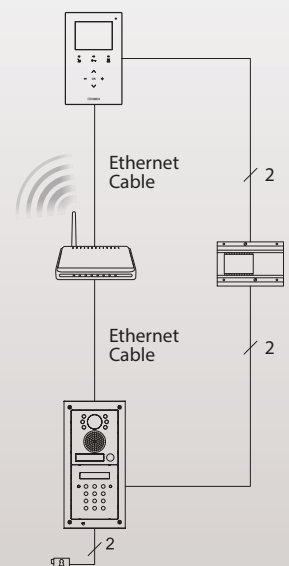
As the versions with the flush mount outdoor station but with surface mounting box Art.4881.  
Packing: the same as equivalent flush model with total weight of 3.1 Kg for one button version and 3.5 Kg for two button version.

**IPVKC-1/96, IPVKC-2/96, IPVKC-1S/96, IPVKC-2S/96**

As the respective versions above but with the surface mount indoor station Art.KRV96.

The module support frame, module front plate and videophone are available in other finishes, see pictures 4, 5 and 7 on page 39 for available versions and additional suffix to use for orders.

\* Available also with Wide Angle camera option.





When ordering kits or spare parts, please specify the finishes as shown here

Pict. 1

FRONT PLATE FINISHES



Put /G after code for Gray finish or /W for White finish.

SMART SERIES VIDEOKIT

pag. 18

Pict. 2

FRONT PLATE FINISHES



MODULE SUPPORT PLUS RAINSHIELD AND SURFACE MOUNTING BOX FINISHES



8000 SERIES VIDEOKIT

pag. 19-21-22

8000 SERIES VIDEOCODE KIT

pag. 20

8000 SERIES AUDIOKIT

pag. 4

8000 SERIES DIGIPHONE KIT

pag. 5

INTERKIT

pag. 6

MODULE SUPPORT



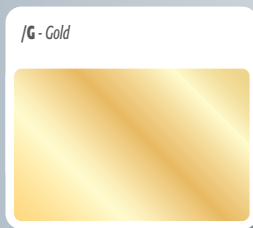
RAINSHIELD (optional) FINISHES



When ordering other than standard version put /A after code for Aluminium front plate and/or /BL for black module support or surface mounting box.

Pict. 3

FRONT PLATE FINISHES



Put /A after code for Aluminium finish, /G for gold or /W for white.

SMART SERIES AUDIOKIT

pag. 14

"TWO WIRE" KIT

pag. 15

MINI KIT

pag. 16



When ordering kits or spare parts, please specify the finishes as shown here

**Pict. 4**

**FRONT PLATE FINISHES**

**Standard version**  
Mirror finish stainless steel



**/A - Anodized aluminium**



**/HB - PVD High Brass**



When ordering other than standard version (Stainless Steel), put /A after code for Aluminium or /HB for PVD High Brass.

4000 SERIES IP VIDEOKIT	pag. 36
4000 SERIES IP VIDEOCODE KIT	pag. 37
4000 SERIES "TWO WIRE" VIDEOKIT	pag. 31-33-32-34
4000 SERIES "TWO WIRE" VIDEOCODE KIT	pag. 35
4000 SERIES VIDEOKIT	pag. 23-26-27
4000 SERIES VIDEOCODE KIT	pag. 24
4000 SERIES VIDEOPROX KIT	pag. 25
4000 SERIES AUDIOKIT	pag. 7
4000 SERIES DIGIPHONE KIT	pag. 8
4000 SERIES VPROXPHONE KIT	pag. 9
4000 SERIES GSM AUDIOKIT	pag. 10
4000 SERIES GSM DIGIPHONE KIT	pag. 11

**Pict. 5**

**MODULE SUPPORT FRAME FINISHES**

**Standard finish - Embossed**  
metallized gun-metal grey



**/C - Silver chromium plating**



**/G - Gold chromium plating**



When ordering other than standard version (Gun metal gray), put /C after code for Silver Chromium or /G for Gold chromium.

4000 SERIES IP VIDEOKIT	pag. 36
4000 SERIES IP VIDEOCODE KIT	pag. 37
4000 SERIES "TWO WIRE" VIDEOKIT	pag. 31-33-32-34
4000 SERIES "TWO WIRE" VIDEOCODE KIT	pag. 35
4000 SERIES VIDEOKIT	pag. 23-26-27
4000 SERIES VIDEOCODE KIT	pag. 24
4000 SERIES VIDEOPROX KIT	pag. 25
4000 SERIES VANDAL RESISTANT VIDEOKIT	pag. 28-30
4000 SERIES VANDAL RESISTANT VIDEOCODE KIT	pag. 29
4000 SERIES AUDIOKIT	pag. 7
4000 SERIES DIGIPHONE KIT	pag. 8
4000 SERIES VPROXPHONE KIT	pag. 9
4000 SERIES VANDAL RESISTANT AUDIOKIT	pag. 12
4000 SERIES VANDAL RESISTANT DIGIPHONE KIT	pag. 13
4000 SERIES GSM AUDIOKIT	pag. 10
4000 SERIES GSM DIGIPHONE KIT	pag. 11

**Pict. 6**

**5000 SERIES VIDEOPHONE FINISHES**

**Standard finish - White**



**/CR - Silver**



**/CA - Carbon Fibre Effect**



When ordering other than standard version (White), put /CR after code for Silver, /CA for Carbon Fibre Effect

ALL VIDEOKITS WITH ECLIPSE MONITOR

**Pict. 7**

**KRISTALLO SERIES VIDEOPHONE FINISHES**

**/B - Black**



**/W - White**



**KRISTALLO SERIES VIDEOPHONE VERSIONS**

**KRV88 - Flush/Surface hands free**



**KRV86 - Surface only with handset**



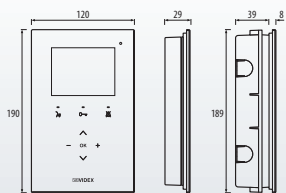
Put /B after code for Black finish or /W for white.

Put /S after code for handset version.

ALL VIDEOKITS WITH KRISTALLO MONITOR

## VIDEOPHONES

### Art.KRV88 Art.KRV98



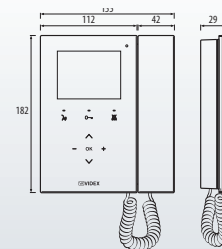
#### Art.KRV88 (for CESVK Series videokit)

Intelligent Hands free video monitor for the VX2300 digital system using 3.5" OSD full colour active matrix LCD monitor, with touch sensitive buttons for "door open / service", "answer/camera recall", "privacy / bus relay" plus 5 navigation menu buttons and 3 LEDs\* related to the videophone operation. Flush or surface mounting version.

#### Art.KRV98 (for IPVK Series videokit)

Hands free video monitor for Videx IP system using 3.5" OSD full colour active matrix LCD monitor, with touch sensitive buttons for "door open/service", "answer/camera recall", "privacy/bus relay" plus 5 navigation menu buttons and 3 LEDs related to the videophone operation. Flush or surface mounting hands free version.

### Art.KRV86 Art.KRV96



#### Art.KRV86 (for CESVK Series videokit)

Intelligent Hands free video monitor for the VX2300 digital system using 3.5" OSD full colour active matrix LCD monitor, with touch sensitive buttons for "door open / service", "answer/camera recall", "privacy / bus relay" plus 5 navigation menu buttons and 3 LEDs\* related to the videophone operation.

Surface mounting version.

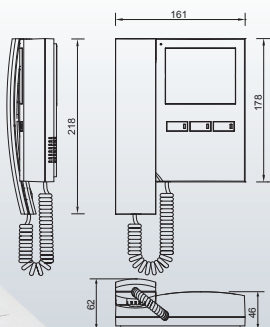
In addition to the hands free mode the handset is also available in order to use as a traditional intercom.

#### Art.KRV96 (for IPVK Series videokit)

Hands free video monitor for Videx IP system using 3.5" OSD full colour active matrix LCD monitor, with touch sensitive buttons for "door open/service", "answer/camera recall", "privacy/bus relay" plus 5 navigation menu buttons and 3 LEDs related to the videophone operation.

Surface mounting version.

### Art.3686 Art.3656



#### Art.3686 (for CESVK Series videokit)

Videophone using 3.5" full colour active matrix LCD monitor. Including 3 buttons ("door-open/intercommunication", "camera-recall" and "privacy/call reject/service") plus 3 LED's\* ("ON", "Door Open" and "Privacy") for visual indication of all functions.

Programmable options: privacy duration and number of rings.

Controls: call tone volume (3 position: low, standard and high), picture brightness and hue.

Also includes a local bell function.

The Art.3686 is surface mount and requires the Art.5980 connection board and wall mounting plate.

This is the standard videophone provided with CESVK series videokit.

#### Art.3656 (for CVK4K, CVR4KV and CVK8K Series videokit)

Videophone using 3.5" full colour active matrix LCD monitor. Including 3 buttons ("door-open/intercommunication", "camera-recall" and "privacy/call reject/service") plus 3 LED's\* ("ON", "Door Open" and "Privacy") for visual indication of all functions.

Programmable options: privacy duration and number of rings.

Controls: call tone volume (3 position: low, standard and high), picture brightness and hue.

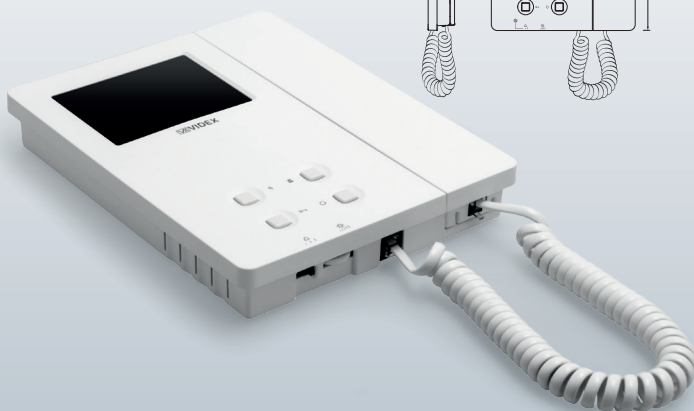
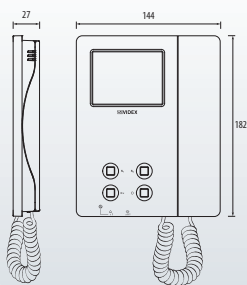
Also includes a local bell function.

The Art.3656 is surface mount and requires the Art.5980 connection board and wall mounting plate.

This is the standard videophone provided with CVK4K, CVR4KV and CVK8K series videokit.

## VIDEOPHONES

### Art.6286 Art.6256



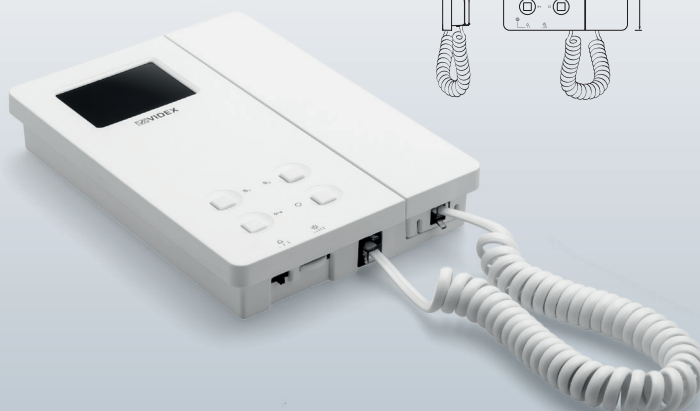
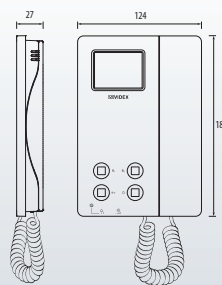
#### Art.6286 (for CESVK Series videokit)

Surface mount videophone using 3.5" full colour active matrix LCD monitor for VX2300. Including 4 buttons "service", "privacy/bus relay activation", "door- open/ intercommunicating call" and "camera recall" plus 3 LED's\* for visual indication of all functions. Adjustments & programmable options: call tone volume on 3 levels (low, medium, high), picture hue, brightness and contrast, call tone melody, number of rings, privacy duration and address. Also includes a local bell function.

#### Art.6256 (for CVK4K, CVR4KV and CVK8K Series videokit)

Surface mount videophone incorporating a 3.5" Hi-Res full colour active matrix LCD monitor specific for "6 wire" videokit (CVK4K, CVR4KV and CVK8K range). It includes 4 buttons: "camera recall", "open door", "service" and "privacy". 2 LED's\* indicate the privacy activated and open door. Programmable privacy duration and number of rings. Intercommunicating call and door call. Adjustments: call tone volume switch (3 levels), picture hue, contrast and brightness.

### Art.6056



#### Art.6056 (for CVK4K, CVR4KV and CVK8K Series videokit)

Videophone incorporating a 2.4" Hi-Res full colour active matrix LCD monitor specific for "6 wire bus videokit" (CVK4K, CVR4KV and CVK8K range).

It includes 4 buttons: "camera recall" "open door" "service" and "privacy".

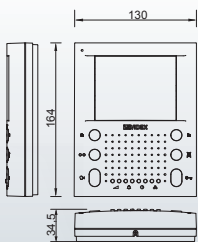
2 LED's\* indicate the privacy activated and open door.

Programmable privacy duration and number of rings.

Intercommunicating call and door call.

Adjustments: call tone volume switch (3 levels), picture hue, contrast and brightness.

### Art.SL5488 Art.SL5456



#### Art.SL5488 (for CESVK Series videokit)

Colour hands free video monitor with 3.5" LCD TFT monitor, "door open/intercommunication", "answer/camera recall", "privacy on/off" push buttons, "button to activate the relays for additional services" and 2 service buttons. The videophones have also 4 LEDs which indicates the buttons functioning.

#### Art.SL5456 (for CVK4K, CVR4KV and CVK8K Series videokit)

Colour hands free video monitor with 3.5" LCD TFT monitor, "door open/intercommunication", "answer/camera recall", "privacy on/off" and 3 service buttons, plus 4 LEDs indicating the functioning of the push buttons.

Programmable melody, number of rings and privacy duration.

Controls: melody volume, speech volume, picture brightness and hue.

Interface to connect a parallel "4+1" standard intercom. Add "ECLIPSE" to the standard code to order the kit with this monitor.

\* Some LED's require additional connections in order to work.

Please, contact our Export Department in order to know the price difference due to the videophone models.

To order videokits with old 3000 Series videophones Art.3356, Art.3381, Art.3456, Art.3481 (available until end of stock), please put a specific note in your order.





From the end of 2005  
 VIDEX has achieved  
 the ISO 9001  
 System Certification



This document is issued by the Company subject to its General Conditions of Certification Services accessible at [www.sgs.com/terms\\_and\\_conditions.htm](http://www.sgs.com/terms_and_conditions.htm). Attention is drawn to the limitations of liability, indemnification and jurisdictional issues established therein. The authenticity of this document may be verified at [http://www.sgs.com/clientscertified\\_clients.htm](http://www.sgs.com/clientscertified_clients.htm). Any unauthorized alteration, forgery or falsification of the content or appearance of this document is unlawful and offenders may be prosecuted to the fullest extent of the law.







TECHNOLOGY FOR THE FUTURE



Cert. N. IT05/1217

### VIDEX Electronics S.p.A.

Via del Lavoro, 1 - 63846 Monte Giberto (FM) Italy

Tel: (+39) 0734 631669 - Fax: (+39) 0734 632475

[www.videx.it](http://www.videx.it) - [info@videx.it](mailto:info@videx.it)

[www.facebook.com/videx.electronics](https://www.facebook.com/videx.electronics)



[www.videx.it](http://www.videx.it)



○ Main UK office:  
 VIDEX SECURITY LTD  
 1 Osprey Trinity Park  
 Trinity Way  
 LONDON E4 8TD  
 Phone: (+44) 0870 300 1240  
 Fax: (+44) 020 8523 5825  
[www.videx-security.com](http://www.videx-security.com)  
[info@videx-security.com](mailto:info@videx-security.com)

○ Northern UK office:  
 VIDEX SECURITY LTD  
 Unit 4-7  
 Chillingham Industrial Estate  
 Chapman Street  
 NEWCASTLE UPON TYNE - NE6 2XX  
 Tech Line: (+44) 0191 224 3174  
 Phone: (+44) 0870 300 1240  
 Fax: (+44) 0191 224 1559

○ Greece office:  
 VIDEX HELLAS Electronics  
 48 Filolaou Str.  
 11633 ATHENS  
 Phone: (+30) 210 7521028  
 (+30) 210 7521998  
 Fax: (+30) 210 7560712  
[www.videx.gr](http://www.videx.gr)  
[videx@videx.gr](mailto:videx@videx.gr)

○ Danish office:  
 VIDEX DANMARK  
 Hammershusgade 15  
 DK-2100 COPENHAGEN  
 Phone: (+45) 39 29 80 00  
 Fax: (+45) 39 27 77 75  
[www.videx.dk](http://www.videx.dk)  
[videx@videx.dk](mailto:videx@videx.dk)

○ Benelux office:  
 VIDEX BENELUX  
 E3 laan, 93  
 B-9800 DEINZE  
 Phone: (+32) 9 380 40 20  
 Fax: (+32) 9 380 40 25  
[www.videxbenelux.be](http://www.videxbenelux.be)  
[info@videxbenelux.be](mailto:info@videxbenelux.be)